



# **Instructions Manual**

## **Manuale uso e manutenzione**

# **CLINIC SW-S101**

**EN**

Please read before installation and before use

**IT**

Leggere attentamente prima dell'installazione e prima dell'uso

GENTILIN SRL  
P.Iva/VAT 01262520248  
Via delle Tezze, 20/22 - 36070 TRISSINO (VI) - Italy  
phone: +39 0445 962000 - e-mail: [info@gentilinair.com](mailto:info@gentilinair.com)



produced by


DMEGA Co., Ltd.


Address : 314 Bongwha-Ro (38-7 Jugyul-Dong), Siheung-  
City, Gyunggi-Do, Korea (Postal Code : 15046)


## Warning & Caution

WARNING AND CAUTION INSTRUCTION, PLEASE READ BEFORE OPERATION. While reading your manual, please pay close attention to areas labeled: WARNING AND CAUTION.


The following symbols of warning will be found on the pump.


	Electric shock (Attached label on the product)
---	--


	Hot surface (Attached label on the product)
---	---


	Alternating current
---	---------------------


	CE mark
---	---------


	Warning, consult accompanying documents
---	---


	Ground protection
---	-------------------


	“ON” (power: connection from the mains)
---	---


	“OFF” (power: disconnection from the mains)
---	---

	Date of manufacture
---	---------------------

	Manufacturer
---	--------------

	Serial number
--	---------------

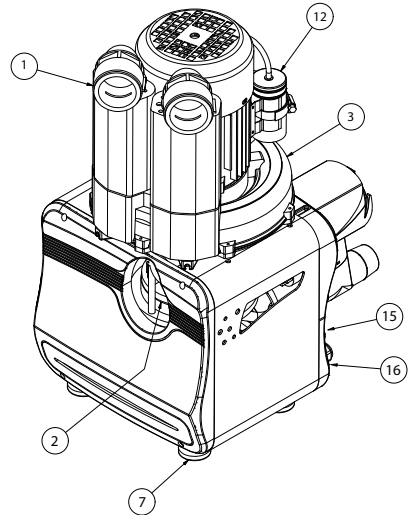
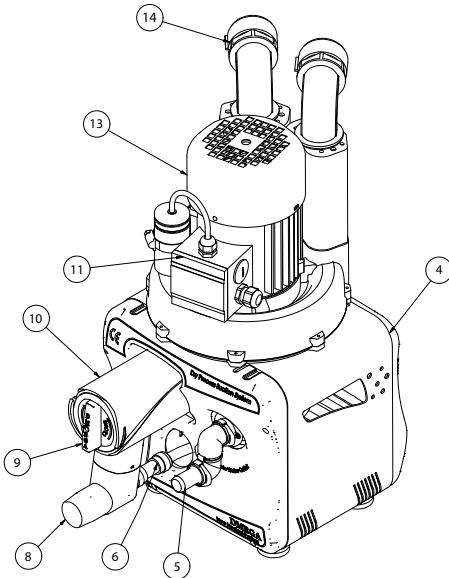
	Refer to instructions manual
--	------------------------------

	Correct Disposal of Electric and Electronic Equipment
---	---

## Index

Description	5	Maintenance	9
Unpacking	5	Disposal	10
Mounting	5	Troubleshooting Chart	11
Installation Location	5	Warranty	12
Installation	6		
Operation	8		

## Part list



- |                               |                                |
|-------------------------------|--------------------------------|
| 1. Vacuum air connection tube | 10. Filter housing             |
| 2. Air / Liquid Separator     | 11. Electric control unit      |
| 3. Motor Impellor Chamber     | 12. Capacitor                  |
| 4. Separation unit case       | 13. Cooling fan cover          |
| 5. Waste water outlet         | 14. Exhaust air outlet         |
| 6. Auto by-pass drain tubing  | 15. Power On/Off switch        |
| 7. Rubber foot                | 16. Overload protective switch |
| 8. Suction Inlet hole         |                                |
| 9. Filter cover               |                                |

## Description

This semi-wet suction system has been tested and found to comply with the standards for medical devices in Electromagnetic Compatibility Directive 93 / 42 / EEC

- EN 55011 : 2009 / A1 : 2010, EN 60601-1-2 : 2007 / AC :2010
- EN61000-3-3: 2008

These standards are designed to provide reasonable protection against harmful interference in a typical medical installation. This equipment generates, uses and can radiate radio frequency energy and, if not installed and used in accordance with the instructions, may cause harmful interference to other nearby devices. However, there is no guarantee that interference will not occur in a particular installation. If this equipment does cause harmful interference to other devices, which can be determined by turning the equipment off and on, the user is encouraged to try to correct the interference by one or more of the following measures:

- Reorient or relocate the receiving device.
- Increase the space between the equipment.
- Connect the equipment to an outlet on a circuit different from that to which the other devices are connected.
- Consult the manufacturer or field service technician for assistance.

## Unpacking

Carefully remove the machine from the shipping case. Preserve all paperwork for future reference. If damage has occurred from shipment, claim must be filed with the carrier immediately. Preserve the shipping carton for inspection by the carrier. If you are required to communicate with your dealer be sure to include your order numbers for quick identification.

## Mounting

Rubber feet are attached to the product. Rubber feet are excellent for applications involving a semi-flexible surface such as bench top; they help to isolate noise and eliminate creeping. However, the horizontal position of the motor shaft should be preferred.

## Installation Location

The suction system should be positioned preferably in a clean, dry and well-ventilated area. Please be sure not to block the ventilation ports located on the motor housing. The unit should be placed where the surrounding temperature remains between 10°C

and 40°C (50°F and 104°F). Always check to insure the chosen location is protected from direct or indirect moisture contact.

## **IMPORTANT!**

This semi-wet suction system is Class 1 Equipment and shall to be installed by qualified personnel.

Never operate this product if it has a damaged power cable or plug. If it is not working properly, has been dropped, damaged or has fallen into water, please contact the appropriate service center for inspection and repair.

Keep the power cable away from heated surfaces. All electrical products generate heat. To avoid serious burns, NEVER touch suction motor during or immediately after operation. The temperature to suction motor can reach 120°C.

Never block any air exhaust valve or position the device on a soft surface where the openings may be blocked. The air exhaust valve is for ventilation of the motor inside the housing. Keep the air exhaust valve free of lint, dirt and other foreign objects.

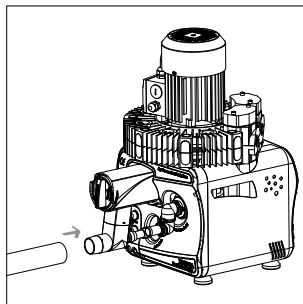
Use only in well-ventilated areas. Be sure to properly identify intake and discharge ports before using machine.

Do not disassemble. Disassembly or attempted repairs if done incorrectly can create electrical shock hazard or product damage. Defer servicing to qualified service centers only.

Do not use this product in or near areas where it may fall or be pulled into water or other liquids. Do not reach for this product if it has fallen into liquid. Never operate this product outdoors in the rain or in a wet area.

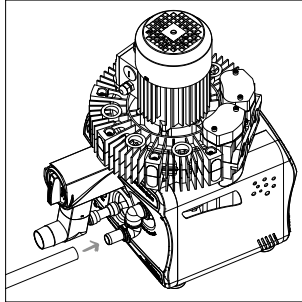
## **INSTALLATION**

### **Suction Inlet Hose Connection**



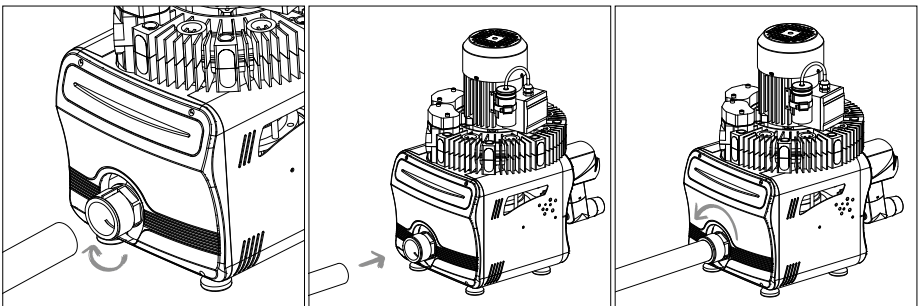
- Remove the cover of suction inlet and push-in tubing connector into the inlet opening.
- Connect suction inlet hose (Ø30, spiral hose) at tubing connector and secure with electrical insulation tape.

### Waste Outlet Hose Connection



- Use provided spiral hose with 19 mm interior diameter.
- Connect hose to the outlet opening with clockwise direction.
- Please secure with hose clip or electrical insulation tape.
- Always position higher than drainage to prevent backflow problem.

### Exhaust Air Hose Connection



- Connect exhaust air outlet hose into the opening.
- Stretch hose clamp and push in air outlet hose and reposition hose clamp to tighten.
- Always place end of the air outlet hose out of building or by a window to prevent

noisy problems, hot temperature and bad odor.

- Always keep clean water and moisture from end of exhaust air hose. (Be cautious, there is a chance of incoming water like rain or vapor when the exhaust air hose is longer than 3 meters.)

## OPERATION

### Start Up

Check electric power connection and that all tubing connections are correct before starting up the suction system.

Check if there are any foreign material in the cooling fan part of the motor. Check any abnormal noise or vibration of the suction system. If this happens, refer to the troubleshooting guide in this manual. After addressing the causes of the noise and vibration, restart the system.

### Hose connection

- Suction inlet Ø30 mm (internal)
- Waste outlet Ø19 mm (internal)
- Exhaust air hose Ø38mm (internal)

Specifications		
Main Voltage (VAC)	230	230
Frequency (Hz)	50	60
Electric Power (kW)	0.4	0.5
Current Consumption (A)	2.7	3.2
Vacuum regulated (mbar)	150	180
Max. Liquid Inlet (LPM)	5	5
Suction motor rotation speed (rpm)	2900	3440
Number of treatment units (unit)	1	1
Noise level (dB)	55	60
Weight (kg)	17	17
Dimensions L x W x H (mm)	280 x 540 x 570	280 x 540 x 570

## MAINTENANCE

### Periodic maintenance

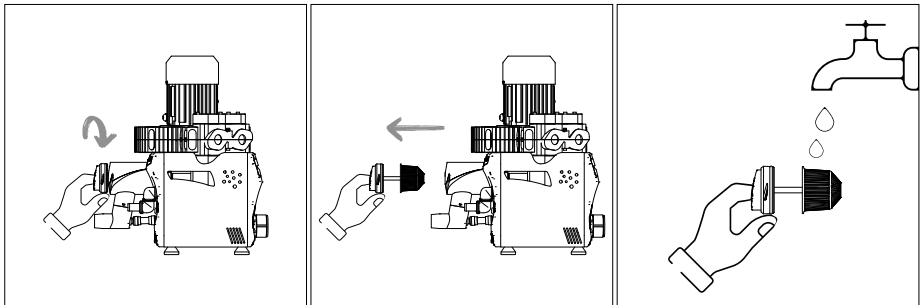
Regular maintenance should be performed by dentist or staff as follows:

- Every year:
  - » Check the motor status to see if it is abnormal. If abnormal bearing sound of the motor is detected, contact authorized dealer for inspection.
  - » Check the plastic hose or joint whether any leakage problem is occurring. If necessary, replace parts as needed.
- Every 5 ~ 7 years:
  - » Replace the motor bearing, and rubber parts like O-Ring and gasket.

### Cleaning Suction inlet filter

Cleaning procedures of filter component.

- Pull out filter component from machine in a clockwise direction of cover.
- Clean filter in running water to remove particles or debris. (It is recommended to



clean it at least twice per month to avoid reduction of suction power.)

- Reconnect filter. (Please be sure that filter fits into filter housing opening correctly.)
- When the clinic facility closes for an extended period of time like summer holiday, please leave filter removed. It helps keep the separator dry.

### Cleaning Suction Unit

After every treatment – To avoid bad odor and reduce the possibility of infection, the

operator should draw/suck one glass of water before the next treatment.

After finishing last treatment of the day – To avoid bad odor and reduce the possibility of infection, the operator should clean the suction unit with NON-FOAMING cleaning and disinfectant solution.

### **CAUTION!**

DO NOT use a foaming cleaning & disinfectant agent.  
It causes backflow of water to the suction motor and can damage it.

### **Disposal**

The built-in electronic circuit board and other electric components should be disposed as electric waste. Other metal components may be disposed of as metallic waste.

If the product is returned to the local dealer, all connections should be closed so that they are watertight. Uncontaminated plastic components of the product may be recycled.

## Troubleshooting Chart

This troubleshooting is to be carried out by qualified technicians only.

Problem	Reason	Remedy
Unit does not work	Mains supply is not connected Incorrect electrical connection or power source	Check mains power, fuses and reset circuit breaker if necessary
Unusual noise has become louder	Solid particle or debris is entering the suction motor	Dismantle unit and clean the impeller of the motor
Excessive vibration	Damaged impeller Motor and/or impeller are dirty	Dismantle unit and clean the impeller of the motor
Unit is very hot	Wrong wiring Low voltage Suction inlet is clogged Operating pressure or vacuum is too high	Check wiring Supply proper voltage Clean primary filter Install a relief valve and pressure or vacuum gauge
Suction is too weak	Suction inlet is clogged Leaking problem in the suction plumbing	Clean primary filter Check all suction tubes, hoses and connection, and replace if necessary
Suction power is weak and wastewater discharges during suction	Red rubber drain valve is in backside position or fitted incorrectly	Unscrew 2 bolts and position rubber drain valve correctly. (Convex surface is outside and flat surface is inside.)
Motor overload	Low voltage	Check power source Check wire size and wire connections

## WARRANTY

1. **WARRANTY DECLARATION:** the Manufacturer guarantees to the End User the replacement, or repair or intervention relative to all appliances, where the machine has non-conformities which hinder the correct use and operation, only where such non-conformities are due to the fault of the Manufacturer. The Manufacturer reserves the right to adopt the best solution in order to restore the appliance conformity within a reasonable amount of time. Warranty does not cover the parts of the machine subject to normal wear and/or deterioration, or defects resulting from inadequate transport.
2. **END USER:** End User is the natural or juridical person who purchases the machine to directly use it. An End User who buys the machine as a natural person for purposes that do not fall within the scope of commercial or professional activity is defined as “consumer”. The End User is considered as a “professional or company” when the purchase is made by a professional or company acting for purposes falling within the scope of his commercial or professional activity.
3. **TERMS:** The Manufacturer is liable to the End User when the lack of conformity occurs within the 36 months from the purchase date. Replacements or repairs under warranty will not extend the warranty period as originally envisaged, the expiry of which remains unchanged.
4. **VALIDITY:** the warranty is valid if the End User notifies the Manufacturer of any lack of conformity within 2 months from the date on which the non conformity was detected, but in any case within the final term stated here-above in clause 3. The above mentioned notification must necessarily be accompanied by a regular proof of purchase (till receipt or invoice).
5. **EXPIRY:** the warranty expires in case of inappropriate use of the machine, or in case of violation of the instructions of the “Instruction Manual” supplied by the Manufacturer, or in case the non conformity is due to inexperience of the user or to a fortuitous accident. Use of the machine after the discovery of defects will free the Manufacturer from any warranty obligation or liability.
6. **RESPONSIBILITY:** The Manufacturer is exempted from any responsibility deriving from any damage to the End User, deriving from the loss or reduction of production, resulting from any lack of conformity.
7. **COSTS AND FEES:** The End User is entitled to obtain the restoration of the conformity of the machine under warranty without paying labor or material costs. The shipping methods are to be agreed with the authorized dealer or with the Manufacturer. In the event that the non-conformity is not due to the Manufacturer’s fault or in case the warranty has expired, the Manufacturer can charge the End User both with the transport and repair costs that will be indicated by the authorized dealer or by the Manufacturer.



Prodotto da

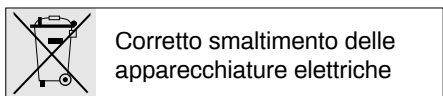
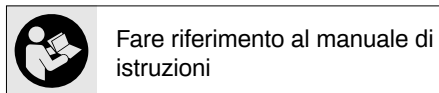
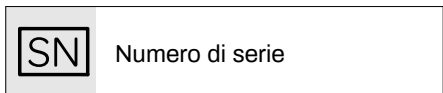
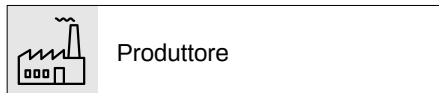
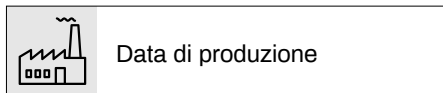
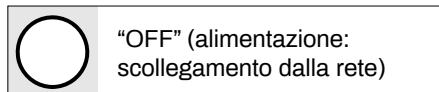
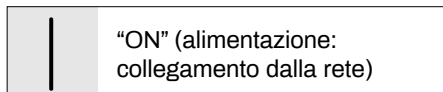
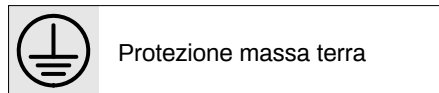
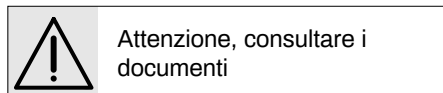
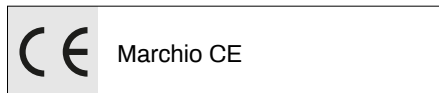
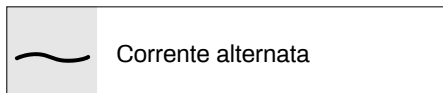
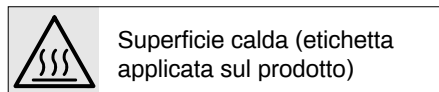
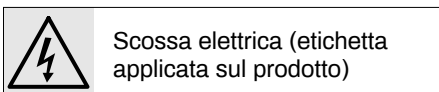
DMEGA Co., Ltd.

Address : 314 Bongwha-Ro (38-7 Jugyul-Dong), Siheung-  
City, Gyunggi-Do, Korea (Postal Code : 15046)

## Avvertenza e attenzione

ISTRUZIONI DI AVVERTENZA E ATTENZIONE, LEGGERE PRIMA DELL'USO.  
 Durante la lettura del manuale, prestare molta attenzione alle aree contrassegnate da: AVVERTENZA E ATTENZIONE.

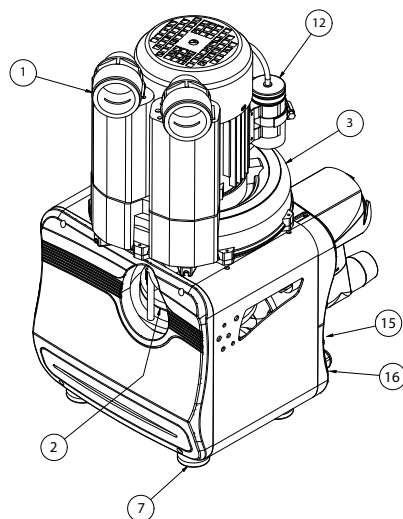
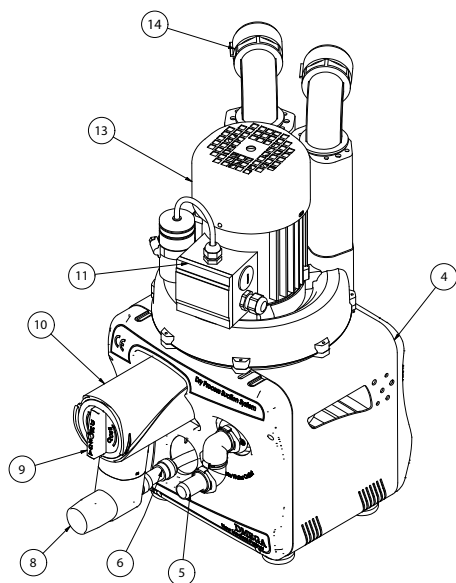
Sulla pompa si trovano i seguenti simboli di avvertenza.



## Indice

Descrizione	17	Manutenzione	21
Disimballaggio	17	Smaltimento	22
Montaggio	17	Tabella di risoluzione dei problemi	23
Luogo di installazione	18	Garanzia	24
Installazione	18		
Avviamento	20		

## Denominazione componenti



- |                                       |  |
|---------------------------------------|--|
| 1. Tubo di collegamento aria vuoto    | 10. Alloggiamento del filtro                   |
| 2. Separatore aria / liquido          | 11. Centralina elettrica                       |
| 3. Girante del motore                 | 12. Condensatore                               |
| 4. Carcassa unità di separazione      | 13. Copertura della ventola                    |
| 5. Uscita acqua di scarico            | 14. Uscita dell'aria di scarico                |
| 6. Tubo di scarico automatico by-pass | 15. Interruttore di on / off                   |
| 7. Piedino in gomma                   | 16. Interruttore di protezione da sovraccarico |
| 8. Foro di ingresso di aspirazione    |  |
| 9. Coperchio del filtro               |  |

## Descrizione

Questo sistema di aspirazione semi-umido è stato testato ed è risultato conforme agli standard per i dispositivi medici nella Direttiva sulla compatibilità elettromagnetica 93/42 / CEE

- EN 55011 : 2009 / A1 : 2010, EN 60601-1-2 : 2007 / AC :2010
- EN61000-3-3: 2008

Questi standard sono progettati per fornire una protezione ragionevole contro le interferenze dannose in una tipica installazione medica. Questa apparecchiatura genera, utilizza e può irradiare energia a radiofrequenza e, se non installata e utilizzata secondo le istruzioni, può causare interferenze dannose ad altri dispositivi vicini. Tuttavia, non vi è alcuna garanzia che non si verificheranno interferenze in una particolare installazione. Se questa apparecchiatura causa interferenze dannose ad altri dispositivi, che possono essere determinate accendendo e spegnendo l'apparecchiatura, l'utente è incoraggiato a cercare di correggere l'interferenza adottando una o più delle seguenti misure:

- Riorientare o riposizionare il dispositivo ricevente.
- Aumentare lo spazio tra le apparecchiature.
- Collegare l'apparecchiatura a una presa su un circuito diverso da quello a cui sono collegati gli altri dispositivi.
- Consultare il produttore o un tecnico dell'assistenza sul campo per assistenza

## Disimballaggio

Rimuovere con attenzione la macchina dalla scatola di spedizione. Conserva tutti i documenti per riferimento futuro. Se si sono verificati danni dalla spedizione, il reclamo deve essere presentato immediatamente al corriere. Conservare il cartone di spedizione per l'ispezione da parte del corriere. Se è necessario comunicare con il proprio rivenditore, assicurarsi di includere i numeri d'ordine per una rapida identificazione.

## Montaggio

I piedini in gomma sono fissati al prodotto. I piedini in gomma sono eccellenti per applicazioni che coinvolgono una superficie semiflessibile come il piano di lavoro; aiutano a isolare il rumore ed eliminare lo strisciamento. Tuttavia, la posizione orizzontale dell'albero motore dovrebbe essere preferita.

## Luogo di installazione

Il sistema di aspirazione deve essere posizionato preferibilmente in un'area pulita, asciutta e ben ventilata. Fare attenzione a non ostruire le porte di ventilazione situate sulla carcassa del motore. L'unità deve essere collocata dove la temperatura circostante rimanga tra 10°C e 40°C (50 ° F e 104 ° F). Verificare sempre che il luogo scelto sia protetto dal contatto diretto o indiretto con l'umidità.

## **IMPORTANTE!!**

Questo sistema di aspirazione semi-umido è un'apparecchiatura di Classe 1 e deve essere installato da personale qualificato.

Non utilizzare mai questo prodotto se ha un cavo di alimentazione o una spina danneggiati. Se non funziona correttamente, è caduto, è danneggiato o è caduto in acqua, contattare il centro di assistenza appropriato per l'ispezione e la riparazione.

Tenere il cavo di alimentazione lontano da superfici riscaldate. Tutti i prodotti elettrici generano calore. Per evitare gravi ustioni, non toccare MAI il motore di aspirazione durante o immediatamente dopo il funzionamento. La temperatura al motore di aspirazione può raggiungere i 120° C.

Non bloccare mai alcuna valvola di scarico dell'aria né posizionare il dispositivo su una superficie morbida dove le aperture potrebbero essere ostruite. La valvola di scarico dell'aria serve per la ventilazione del motore all'interno dell'alloggiamento. Tenere la valvola di scarico dell'aria libera da lanugine, sporco e altri oggetti estranei.

Utilizzare solo in aree ben controllate. Assicurarsi di identificare correttamente le porte di aspirazione e scarico prima di utilizzare la macchina.

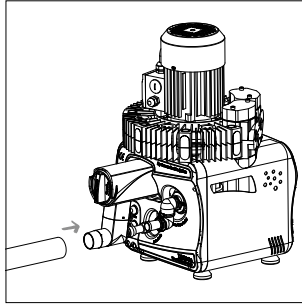
Non smontare. Lo smontaggio o il tentativo di riparazione se eseguiti in modo errato possono creare pericolo di scosse elettriche o danni al prodotto. Inviare per la manutenzione solo a centri di assistenza qualificati.

Non usare questo prodotto in o vicino ad aree dove potrebbe cadere o essere trascinato in acqua o altri liquidi. Non prendere questo prodotto se è caduto in un liquido. Non utilizzare mai questo prodotto all'aperto sotto la pioggia o in un'area umida.

## INSTALLAZIONE

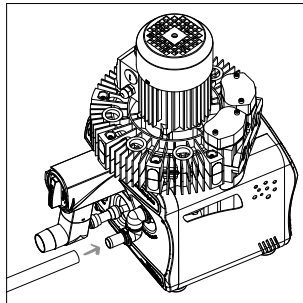
### Collegamento del tubo di ingresso di aspirazione

- Rimuovere il coperchio dell'ingresso di aspirazione e il connettore del tubo a pressione nell'apertura di ingresso.
- Collegare il tubo di aspirazione (Ø30, tubo a spirale) al connettore del tubo e fissarlo con nastro isolante elettrico o una fascetta stringitubo.



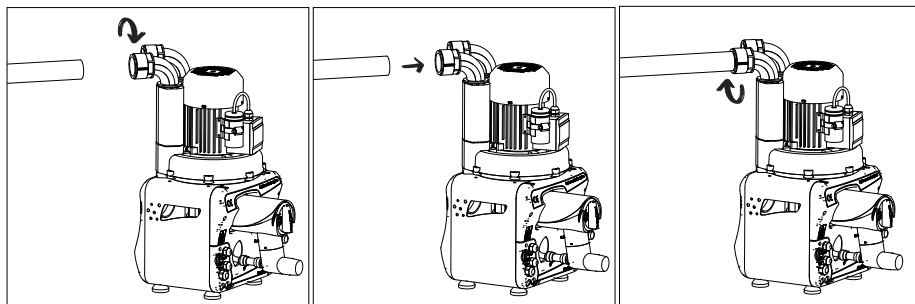
### Collegamento del tubo di scarico dei rifiuti

- Utilizzare il tubo a spirale fornito con un diametro interno di 19 mm.
- Collegare il tubo flessibile all'apertura di uscita in senso orario.
- Fissare con una fascetta stringitubo o un nastro isolante elettrico.
- Posizionare sempre più in alto del drenaggio per evitare problemi di riflusso.



### Collegamento del tubo dell'aria di scarico

- Collegare il tubo di uscita dell'aria di scarico nell'apertura.
- Allungare l'anello stringitubo e inserire il tubo flessibile di uscita dell'aria e riposizionare l'anello stringitubo per serrare.
- Posizionare sempre l'estremità del tubo di uscita dell'aria fuori dall'edificio o vicino a una finestra per evitare rumori, temperature elevate e cattivi odori.
- Tenere sempre acqua pulita e umidità dall'estremità del tubo dell'aria di scarico. (Fare attenzione, c'è la possibilità che l'acqua entri come pioggia o vapore quando il tubo dell'aria di scarico è più lungo di 3 metri.)



## OPERAZIONE

### Avviamento

Verificare il collegamento alla rete elettrica e che tutti i collegamenti dei tubi siano corretti prima di avviare il sistema di aspirazione.

Controllare se sono presenti materiali estranei nella parte della ventola di raffreddamento del motore. Verificare eventuali rumori o vibrazioni anomali del sistema di aspirazione. In tal caso, fare riferimento alla guida alla risoluzione dei problemi in questo manuale. Dopo aver risolto le cause del rumore e delle vibrazioni, riavviare il sistema.

Specifiche tecniche		
Voltaggio (VAC)	230	230
Frequenza (Hz)	50	60
Potenza elettrica (kW)	0.4	0.5
Corrente elettrica assorbita (A)	2.7	3.2
Regolazione del vuoto (mbar)	150	180
Ingresso liquido massimo (L/Min)	5	5
Velocità di rotazione del motore (rpm)	2900	3440
Numero di unità di trattamento (unit)	1	1
Livello di rumore (dB)	55	60
Peso (kg)	17	17
Dimensioni L x P x A (mm)	280 x 540 x 570	280 x 540 x 570

### Giunzione di tubi

- Ingresso di aspirazione Ø30 mm (interno)
- Uscita dei rifiuti Ø19 mm (interno)
- Tubo di scarico dell'aria Ø38mm (interno)

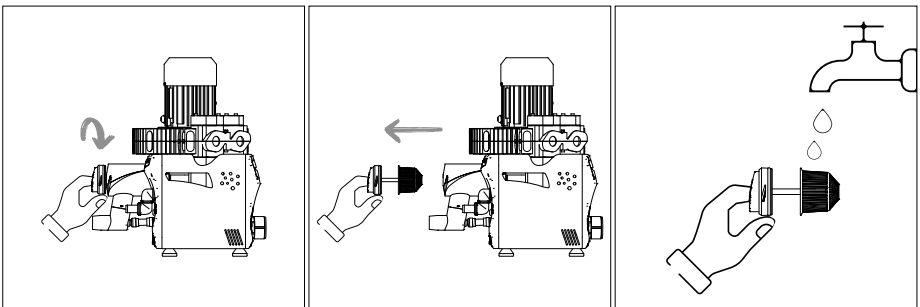
## MANUTENZIONE

### Manutenzione periodica

La manutenzione regolare deve essere eseguita dal dentista o dal personale come segue:

- Ogni anno:
  - » Controllare lo stato del motore per vedere se è anormale. Se viene rilevato un suono anormale dei cuscinetti del motore, contattare un rivenditore autorizzato per un controllo.
  - » Controllare il tubo o il giunto di plastica se si verificano problemi di perdite. Se necessario, sostituire le parti secondo necessità.
- Ogni 5 ~ 7 anni:
  - » Sostituire il cuscinetto del motore e le parti in gomma come l'O-ring e la guarnizione.

### Pulizia del filtro di ingresso di aspirazione



Procedure di pulizia del componente del filtro.

- Estrarre il componente del filtro dalla macchina in senso orario dal coperchio.

- Pulire il filtro in acqua corrente per rimuovere particelle o detriti. (Si consiglia di pulirlo almeno due volte al mese per evitare la riduzione della potenza di aspirazione.)
- Ricollegare il filtro. (Assicurarsi che il filtro si inserisca correttamente nell'apertura dell'alloggiamento del filtro.)
- Quando la clinica chiude per un periodo di tempo prolungato come le vacanze estive, lasciare il filtro rimosso. Questo aiuta a mantenere asciutto il separatore.

## **Pulizia dell'unità di aspirazione**

Dopo ogni trattamento - Per evitare cattivi odori e ridurre la possibilità di infezione, l'operatore deve aspirare / risucchiare un bicchiere d'acqua prima del trattamento successivo.

Dopo aver terminato l'ultimo trattamento della giornata - Per evitare cattivi odori e ridurre la possibilità di infezione, l'operatore deve pulire l'aspiratore con una soluzione detergente e disinfettante SENZA SCHIUMA.

## **ATTENZIONE!!**

NON utilizzare detersivi e disinfettanti schiumogeni. Provoca il riflusso dell'acqua al motore di aspirazione e può danneggiarlo.

## **Smaltimento**

La scheda elettronica incorporata e gli altri componenti elettrici devono essere smaltiti come rifiuti elettrici. Altri componenti metallici possono essere smaltiti come rifiuti metallici.

Se il prodotto viene restituito al rivenditore locale, tutti i collegamenti devono essere chiusi in modo che siano a tenuta stagna. I componenti in plastica non contaminati del prodotto possono essere riciclati.

## Tabella di risoluzione dei problemi

Questa risoluzione dei problemi deve essere eseguita solo da tecnici qualificati.

Problema	Motivo	Rimedio
L'unità non funziona	L'alimentazione di rete non è collegata Collegamento elettrico o alimentazione non corretti	Controllare l'alimentazione di rete, i fusibili e ripristinare l'interruttore di circuito se necessario
Il rumore insolito è diventato più forte	Particelle solide o detriti stanno entrando nel motore di aspirazione	Smontare l'unità e pulire la girante del motore
Vibrazioni eccessive	Girante danneggiata Il motore e / o la girante sono sporchi	Smontare l'unità e pulire la girante del motore
L'unità è molto calda	Cablaggio errato Bassa tensione L'ingresso di aspirazione è ostruito La pressione di esercizio o il vuoto sono troppo alti	Controllare il cablaggio Alimentare la tensione corretta Pulire il filtro primario Installare una valvola di sfiato e un manometro o un vacuometro
L'aspirazione è troppo debole	L'ingresso di aspirazione è ostruito Problema di perdite nelle tubazioni di aspirazione	Pulire il filtro primario Controllare tutti i tubi di aspirazione, i tubi flessibili e il collegamento e sostituirli se necessario
La potenza di aspirazione è debole e le acque reflue vengono scaricate durante l'aspirazione	La valvola di scarico in gomma rossa è in posizione posteriore o è montata in modo errato	Svitare i 2 bulloni e posizionare correttamente la valvola di scarico in gomma. (La superficie convessa è all'esterno e la superficie piana è all'interno.)
Sovraccarico del motore	Basso voltaggio	Controllare la fonte di alimentazione Controllare le dimensioni dei cavi e le connessioni dei cavi

## GARANZIA

1. **DICHIARAZIONE DI GARANZIA:** il fabbricante si impegna nei confronti dell'Utilizzatore Finale a sostituire, riparare o intervenire altrimenti sulla macchina, qualora essa presenti dei difetti di conformità che ne compromettano il corretto uso e funzionamento, esclusivamente se tali difetti sono riconducibili alla effettiva responsabilità del fabbricante. Il fabbricante si riserverà il diritto di adottare la soluzione migliore per ripristinare la conformità della macchina in un lasso di tempo ragionevole. La garanzia non copre le parti dei Prodotti soggette a normale usura e/o deterioramento o i difetti derivanti dal trasporto inadeguato.
2. **UTILIZZATORE FINALE:** Utilizzatore Finale è chi acquista la macchina per utilizzarla direttamente. L'Utilizzatore Finale che acquista la macchina come persona fisica per fini che non rientrano nell'ambito di attività commerciale o professionale si definisce "consumatore". L'Utilizzatore Finale si definisce "professionista o ditta" quando l'acquisto viene effettuato da un professionista o da una ditta che agisce per fini rientrano nell'ambito della sua attività commerciale o professionale.
3. **TERMINI:** Il fabbricante è responsabile verso l'Utilizzatore Finale quando il difetto di conformità si manifesta entro i seguenti termini dalla data di acquisto:
  - 24 mesi se l'acquisto è stato effettuato da un "consumatore" come descritto al punto 2).
  - 12 mesi se l'acquisto è stato effettuato da un "professionista o ditta" come descritto al punto 2)Tutti gli Utilizzatori Finali hanno la possibilità di estendere la garanzia (Garanzia Estesa) sino a tre anni dalla data di acquisto della macchina a condizione che:
  - a) abbiano registrato l'acquisto sul sito [www.gentilinair.com](http://www.gentilinair.com) entro sette giorni dall'acquisto e b) abbiano compilato il modulo di registrazione in modo completo e preciso, compilando i campi obbligatori con informazioni esatte, complete e veritiere e abbiano conservato il codice di registrazione da indicare in caso di problemi.I pezzi di ricambio o i prodotti sostituiti saranno in garanzia sino alla scadenza della garanzia del prodotto originario.
4. **VALIDITA'.** La garanzia ha validità quando l' Utilizzatore Finale denuncia al fabbricante il difetto di conformità entro 2 mesi dalla data in cui ha constatato siffatto difetto, ma entro il termine finale indicato al precedente punto 3). La suddetta denuncia deve obbligatoriamente essere accompagnata da un regolare documento di acquisto (scontrino fiscale o fattura). In caso di Garanzia Estesa la denuncia deve indicare anche il codice di registrazione.
5. **DECADENZA:** La garanzia decade nel caso in cui l'acquirente utilizzi la macchina in modo improprio e/o non conforme a quanto riportato nel presente "Manuale di Istruzioni" fornito dal fabbricante, o nel caso in cui il difetto di conformità sia stato causato da imperizia dell'acquirente o da un caso fortuito. L'utilizzo dei prodotti dopo la scoperta dei difetti libera il fabbricante da ogni obbligo di garanzia o responsabilità.

6. **RESPONSABILITA'**: Il fabbricante è esonerato da qualsiasi responsabilità conseguente ad eventuali danni subiti dall'acquirente, derivanti da mancata o diminuita produzione, conseguenti ad eventuali difetti di conformità.
7. **SPESE**: L'Utilizzatore Finale ha diritto al ripristino della conformità della macchina in garanzia senza spese per manodopera o per materiali. Le modalità di spedizione sono da concordare con il rivenditore autorizzato o con il fabbricante. Nell'ipotesi in cui la non conformità non sussista o la denuncia sia fuori termine, il fabbricante potrà addebitare sia le spese di trasporto che di riparazione che verranno indicate dal rivenditore autorizzato o dal fabbricante.





distributed by



GENTILIN SRL

P.Iva/VAT 01262520248

Via delle Tezze, 20/22 - 36070 TRISSINO (VI) - Italy

phone: +39 0445 962000 - e-mail: [info@gentilinair.com](mailto:info@gentilinair.com)

[www.gentilinair.com](http://www.gentilinair.com)

produced by

DMEGA Co., Ltd.

Address : 314 Bongwha-Ro (38-7 Jugyul-Dong), Siheung-  
City, Gyunggi-Do, Korea (Postal Code : 15046)



50101032