



Instruction Manual
Compressors

ESK480/10

ESK660/10

CE EAC

EN



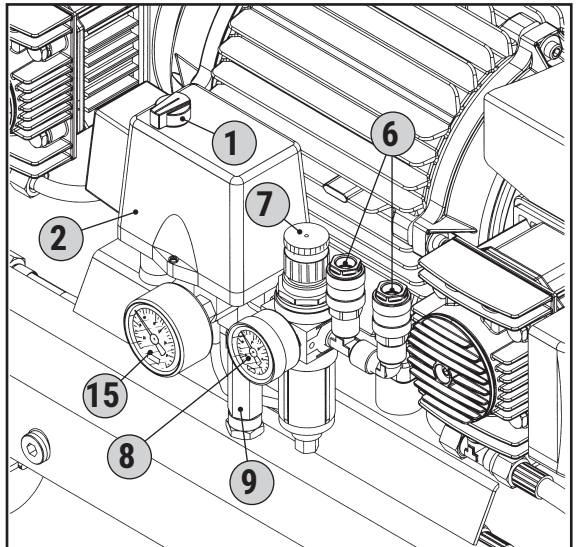
INDEX

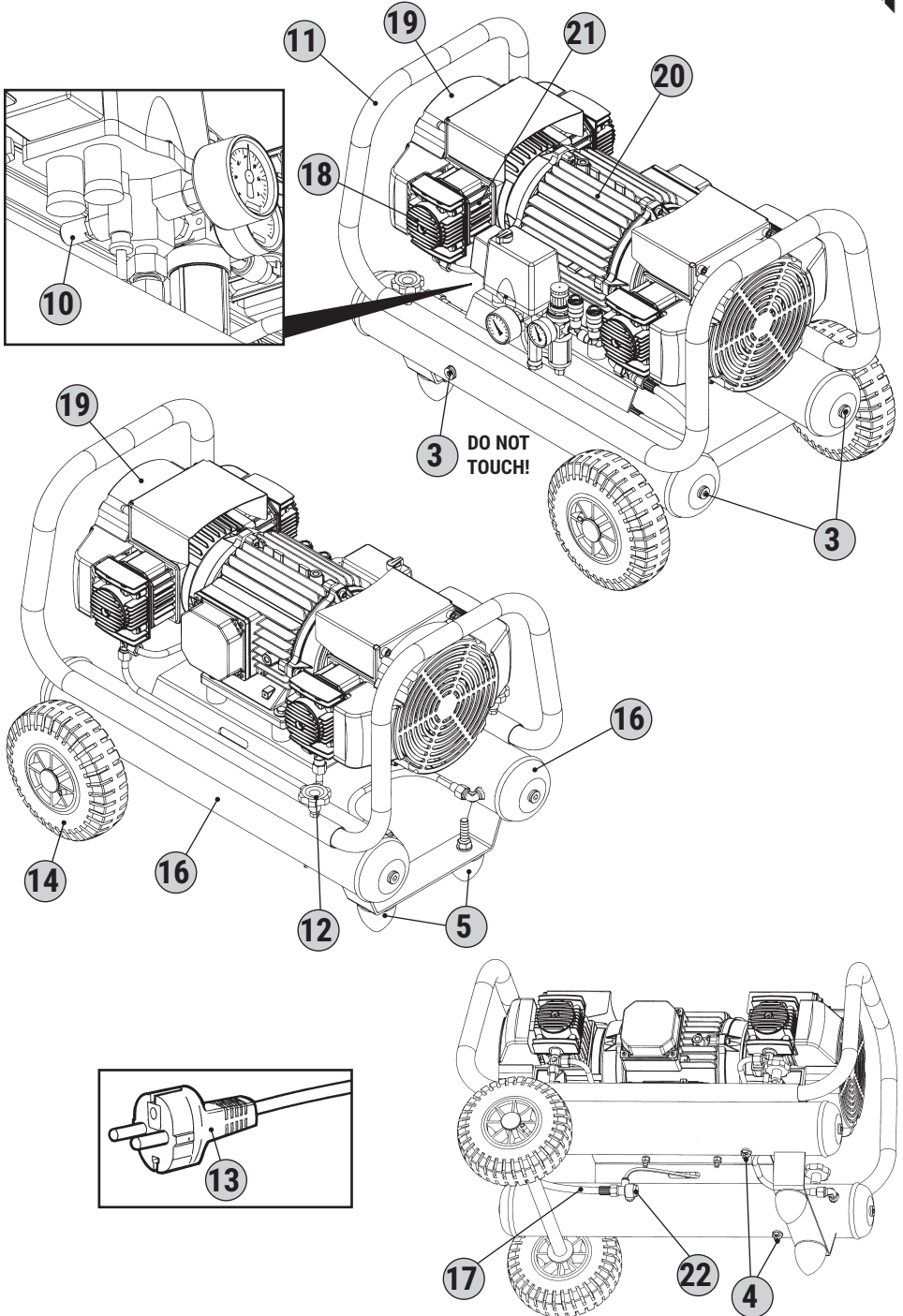
1 PARTS LIST	4
2 TECHNICAL SPECIFICATIONS	6
3 CE DECLARATION OF CONFORMITY	7
4 CE LABEL	8
5 IMPORTANCE OF THE MANUAL	8
6 RECIPIENTS	9
7 STATUS "APPLIANCE OFF"	11
8 WARRANTY	12
9 RIGHTS RESERVED	13
10 INTENDED USE	13
11 INCORRECT USE	14
12 TRANSPORTATION AND MOVEMENT OF THE APPLIANCE	15
13 PACKAGING	16
14 UNPACKING	16
15 LOCATION	16
16 STORAGE	16
17 ELECTRICAL CONNECTION	17
18 AIR PIPE (EXTENSION) AND UTENSILS CONNECTION	21
19 SAFETY DEVICES ADOPTED	22
20 SAFETY SIGNS	23
21 PERSONAL PROTECTIVE EQUIPMENT (PPI)	24
22 RESIDUAL RISKS	24
23 AREAS ASSUMED BY AUTHORISED OPERATORS	25
24 COMMAND DEVICES	26
25 PRE-START-UP CHECKS	27
26 APPLIANCE ACTIVATION	27
27 APPLIANCE DEACTIVATION	29
28 VOLTAGE OVERLOAD SAFETY RESET	30
29 EMERGENCY STOP	30
30 START-UP SUBSEQUENT TO AN EMERGENCY STOP	31
31 STANDARD MAINTENANCE	31
32 EXTRAORDINARY MAINTENANCE	33
33 END OF SERVICE LIFE	33
34 REPLACEMENT PARTS	33
35 ANOMALIES - CAUSES - SOLUTIONS	33



1. PARTS LIST

- 1) Switch
- 2) Pressure switch
- 3) Tank cap (**do not touch**)
- 4) Condensate pump
- 5) Support feet
- 6) Air outlet spigot (regulator)
- 7) Outlet pressure regulator
- 8) Tank outlet gauge
- 9) Non-return valve
- 10) Safety valve
- 11) Adjustable handle
- 12) Adjustable locking handle
- 13) Power plug and cable
- 14) Wheel
- 15) Tank pressure gauge
- 16) Air tank
- 17) Pump/Tank connection pipes
- 18) Air filter
- 19) Fan cover
- 20) Electric motor
- 21) Twin cylinder pump system
- 22) Check valve

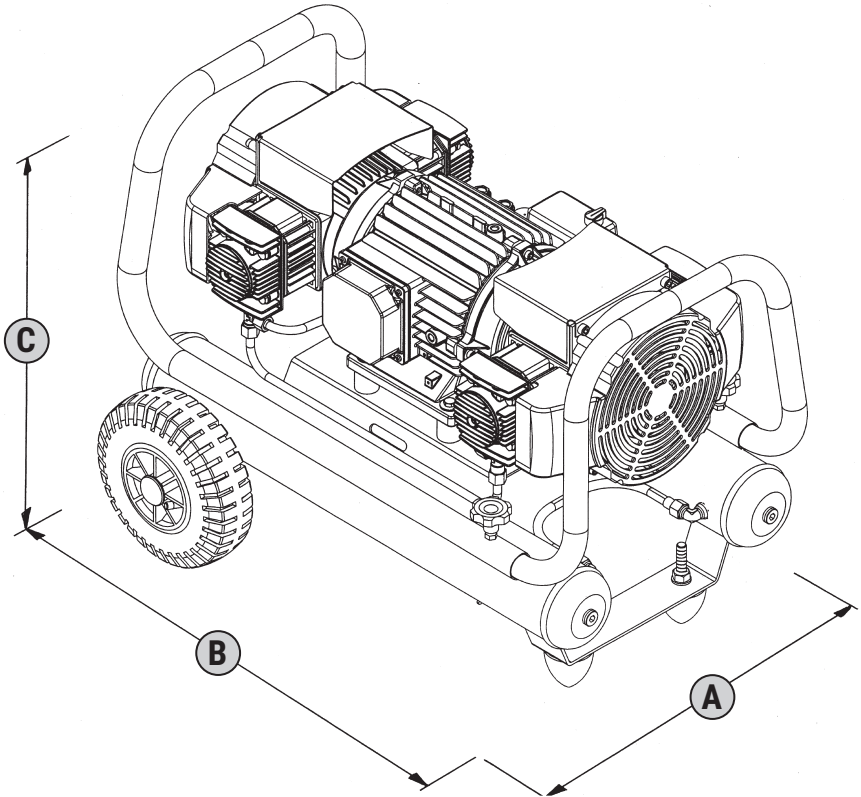






2. TECHNICAL SPECIFICATIONS

MODEL	ESK480/10	ESK660/10
Supply voltage/Frequency (V/Hz)	230 - 50	400 - 50
Nominal power (kW)	3	4
Max. operating pressure (bar)	10	
Level of output noise (dB)	90	
Driveshaft rotation speed (rpm)	1400	
Tank volume (l)	10	
Performance (aspirations/yield) (l/min)	480 - 345	660 - 410
Temperature/air humidity (°C)	+5 ÷ +40 / 5% ÷ 95%	
Total weight (Kg)	68	70
Dimensions (AxBxC) (mm)	595x790x570	595x790x570
Motor rotation direction	The compressor can be used in both directions of rotation	





3. CE DECLARATION OF CONFORMITY

Gentilin S.r.l. - Via delle Tezze, 20/22 36070 Trissino (VI) - Italy
VAT N.: **01262520248**

Declares that the following machine:

COMPRESSOR ESK480/10 - ESK660/10

MACHINE: Air volumetric compressor

SERIAL NUMBER: _____

Complies with the following directives:

- **2006/42/EC** Directive of the European Parliament and the Council of 17 May 2006 on machinery and amending Directive 95/16/EC (recast)
- **2014/30/UE** Directive of the European Parliament and of the Council of 26 February 2014, replacing 2004/108/EC Directive of the European Parliament and of the Council of 15 December 2004, on the approximation of the laws of the Member States relating to electromagnetic compatibility and repealing Directive 89/336/EEC
- **2014/35/UE** Directive of the European Parliament and of the Council of 26 February 2014, replacing Directive 2006/95/EC of the European Parliament and Council, of December 12, 2006

Person authorized to prepare the Technical Dossier **Gentilin Giuseppe**, in quality of Technical Manager

Place: **Via delle Tezze, 20/22 - 36070 Trissino (VI) ITALY**

Date: _____

Legal Representative

(Gentilin Giampaolo)

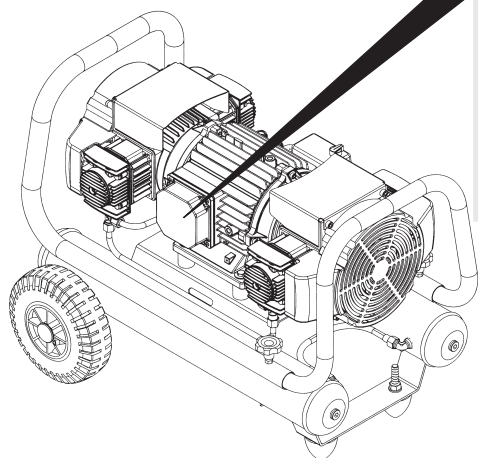
Signature:



Stamp: **Gentilin** S.p.A. BRC
Via delle Tezze 20/22 - 36070 TRISSINO (VI)
Cod. Fisc. e P. IVA IT 01262520248
Tel. +39 0445/962000 r.a. - Fax +39 0445 451412
<http://www.gentilin.it> E-mail: commerciale@gentilin.it



4. CE LABEL

The CE label serves as evidence of the appliance's compliance with essential health and safety requirements as specified by the **Machinery Directive 2006/42/CE**. It takes the form of a polyester sticker, with a black thermal transfer mould, which are applied on the motor frame.



 Gentilin® OIL-FREE. THE NEW NORMAL.		GENTILIN SRL Via delle Tezze, 20/22 36070 Trissino (VI) ITALY Tel. +39 0445 962000 Fax +39 0445 491412	
TIPO / MODELLO TYPE / MODEL			
ANNO / YEAR N° DI SERIE / SERIAL No.		
S1			
PRESSIONE MAX. ESERCIZIO MAX. WORKING PRESSURE	10 bar		
TENSIONE TENSION V / Hz / A		
VEL. ROTAZIONE ALBERO SHAFT ROTATION SPEED rpm		
POTENZA NOM. RATED POWER kW		
PESO WEIGHT	kg		

5. IMPORTANCE OF THE MANUAL

 **BEFORE USING THE APPLIANCE IN QUESTION, AUTHORISED USERS MUST READ AND UNDERSTAND THE PRESENT INSTRUCTION MANUAL IN ITS ENTIRETY.**

- The “Instruction Manual” was compiled according to the instructions as specified in **Machinery Directive 2006/42/CE**, in order to guarantee easy and correct understanding of subjects relevant to operators authorised to use and oversee maintenance of the appliance in question. Should operators find errors, please do not send incorrect personal interpretations/amendments that may threaten safety, rather, we advise you immediately request the Manufacturer send the correct explanations or further details.
- The “Instruction Manual” must be accessible by authorised operators at all times and must be always be kept in a safe place within close proximity of the appliance.



THE PRESENT INSTRUCTION MANUAL FORMS AN INTEGRAL PART OF THE APPLIANCE AND MUST BE KEPT FOR FUTURE REFERENCE AND UP UNTIL THE END OF APPLIANCE LIFE. IT MUST ALWAYS BE ACCESSIBLE TO AUTHORISED OPERATORS AND IT MUST BE SAFELY STORED AND KEPT WITHIN CLOSE PROXIMITY OF THE APPLIANCE ITSELF.

THE MANUFACTURER DECLINES ANY RESPONSIBILITY FOR DAMAGE TO PERSONS, ANIMALS AND OBJECTS CAUSED BY INOBSERVATION OF REGULATIONS AND WARNINGS DESCRIBED IN THE PRESENT INSTRUCTION MANUAL.

IN THE INSTANCE WHERE THE INSTRUCTION MANUAL IS LOST OR DAMAGED, REQUEST A COPY FROM THE MANUFACTURER OR THE AUTHORISED SUPPLIER, SPECIFYING THE APPLIANCE MODEL AND THE EDITION NUMBER PROVIDED WITHIN THE TITLE.

THE PRESENT INSTRUCTION MANUAL COMPLIES WITH TECHNICAL PROVISIONS AT THE TIME OF PURCHASE OF THE APPLIANCE AND CANNOT BE CONSIDERED INCORRECT IN THE INSTANCE WHERE NEW EXPERIMENTATION RESULTS IN UPDATES OF SUCH TECHNICAL PROVISIONS.

THE PRESENT INSTRUCTION MANUAL MUST BE PASSED OVER IN THE INSTANCE WHERE THE APPLIANCE IS HANDED OVER TO ANOTHER USER.

6. RECIPIENTS

This "Instruction Manual" is aimed exclusively at operators authorised to carry out operations according to specific technical skills necessitated for the operation type.



AUTHORISED OPERATORS MUST ONLY CARRY OUT OPERATIONS FOR WHICH THEY ARE QUALIFIED.

BEFORE CARRYING OUT ANY OPERATIONS, AUTHORISED OPERATORS MUST POSSESS ADEQUATE PSYCHO-PHYSICAL CAPABILITIES IN ORDER TO ALWAYS ENSURE SAFETY.

ASSIGNED OPERATOR



An operator over the age of 18 (private user or employee) and, who, in compliance with current legislation on health and safety in the work place in force within the country of usage, is capable of exclusively activating, using and deactivating the appliance whilst completely complying with the instructions presently provided, **whilst using the dedicated personal safety device items.**



MECCANICAL/PNEUMATIC MAINTENANCE PERSON



A qualified technician, capable of carrying out exclusive interventions on mechanical/pneumatic parts in order to oversee the regulation, maintenance and/or repairs even with protective devices disabled in complete compliance with the instructions presently provided or with any other specific document supplied by the Manufacturer, **whilst using the dedicated personal safety device items.**

ELECTRICAL MAINTENANCE



A qualified technician, capable of carrying out exclusive interventions on electrical devices in order to oversee the regulation, maintenance and/or repairs even where an electric supply is present and even with protective devices disabled in complete compliance with the instructions presently provided or with any other specific document supplied by the Manufacturer, **whilst using the dedicated personal safety device items.**

COMPANY SAFETY MANAGER



A qualified technician nominated by the employer (where the appliance is used in a business context), who possesses the required professional, technical skills as specified by the legislations currently in force on health and safety of workers at the work place.

MANUFACTURER'S TECHNICIAN



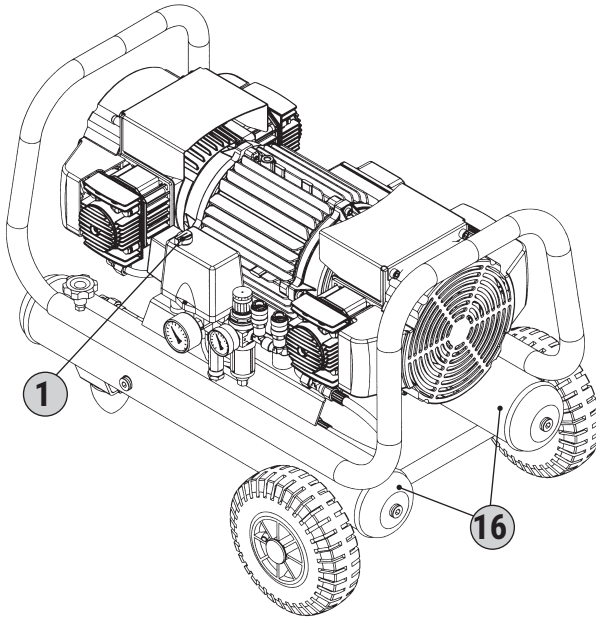
A qualified technician offered by the Manufacturer and/or Supplier authorised to provide required technical assistance, standard and extraordinary maintenance interventions and/or operations which are not presently included which necessitate specialist knowledge of the appliance, **whilst using the dedicated personal safety device items.**



7. STATUS “APPLIANCE OFF”

Before carrying out any type of maintenance and/or regulation operation on the appliance, you must:

- Shut off the power supply ensuring that the switch (1) is in the “OFF (0)” position.
- Unplug the power cable from the plug located near the appliance.
- Empty the tank (16) (no pressure).





8. GUARANTEE

- 1) **GUARANTEE DECLARATION:** the Manufacturer gives an undertaking to the End-User to replace, repair or otherwise intervene in the machine, if it has conformity defects that compromise its correct use and operation, but only if such defects are attributable to the actual liability of the Manufacturer. The Manufacturer reserves the right to adopt the optimal solution to restore the conformity of the machine within a reasonable period of time. The guarantee does not cover parts of the Products subject to normal wear and tear and/or deterioration or defects resulting from inappropriate transport.
- 2) **END-USER:** the End-User is the person who buys the machine to use it directly. The End-User who buys the machine as a natural person for purposes that do not fall within the scope of commercial or professional activity is defined as a “consumer”. The End-User is defined as a “professional or company” when the purchase is made by a professional or by a company acting for purposes which fall within the scope of its commercial or professional activity.
- 3) **TERMINALS:** the Manufacturer is liable to the End-User when the lack of conformity occurs within the following terms from the date of purchase:
24 months if the purchase was made by a ‘consumer’ as described in point 2).
12 months if the purchase was made by a “professional or company” as described in point 2).
All End-Users have the right to extend the guarantee (Extended Guarantee) for up to three years from the date of purchase of the machine if they: (a) have registered their purchase on the website www.gentilnair.com within seven days of purchase and (b) have completed the registration form completely and accurately, filling in the required fields with exact, complete and true information and have kept the registration code to be mentioned in the event of problems. Replaced parts or products will remain under guarantee until the original product guarantee expires.
- 4) **VALIDITY:** the guarantee is valid if the End-User notifies the Manufacturer of the conformity defect within 2 months from the date on which he has discovered it, but within the final term indicated in point 3) above. The above report must be accompanied by a regular purchase document (tax receipt or invoice). In the case of an Extended Guarantee, the declaration must also indicate the registration code.
- 5) **FORFEIT:** the guarantee will be void if the purchaser uses the machine improperly and/or not in accordance with the provisions of this “Instruction Manual” provided by the Manufacturer, or if the lack of conformity was caused by inexperience on the part of the purchaser or by chance. The use of the products after the discovery of defects releases the Manufacturer from any guarantee commitment or liability.
- 6) **LIABILITY:** the Manufacturer is released from any liability resulting from any damage sustained by the purchaser, resulting from loss or diminution of production which derives from any lack of conformity.
- 7) **COSTS:** the End-User has the right to the restoration of the conformity of the machine under guarantee without any costs for labour or materials. The shipping methods must be agreed with the authorised dealer or with the Manufacturer. In the event that the non-conformity is only apparent or the complaint arrives after the deadline, the Manufacturer may charge the cost of both transport and any repair that is indicated by the authorised dealer or the Manufacturer.



9. RIGHTS RESERVED

- Rights reserved with regards the “Instruction Manual” remain with the Manufacturer.
- No parts of the present manual, in full or in part, may be copied and/or passed on in any way, without written authorisation from the Manufacturer.
- All the brands mentioned belong to the respective owners.

10. INTENDED USE

FIELD OF OPERATION

Industrial, handicraft and civil.

PLACE OF OPERATION

Interior locations with sufficient lighting, ventilation, with temperature and air humidity values as per details provided in Paragraph 2, in compliance with legislation governing health and safety in the work place in force in the country of usage. The appliance must rest on a surface that ensures the appliance is stable with respect to its weight and overall dimensions (see Paragraph 2).



WARNING!

THE APPLIANCE MUST BE KEPT OUT OF REACH OF CHILDREN.

INTENDED USE

Compressing air (no oil) to be used with suitable pneumatic utensils according to current legislation in force (E.g. blowing, pumping, washing, veneering and sandblasting, etc.).

OPERATORS AUTHORISED USE

An authorised operator with professional, technical skills as described in Paragraph 6.



11. INCORRECT USE

The appliance was designed and manufactured exclusively for the aim as described in Paragraph 10; in order to ensure the safety of authorised operators and appliance efficiency at all times, any other use is completely forbidden.



IT IS STRICTLY FORBIDDEN TO START THE MACHINE IN ANY ATEX ZONE, I.E. IN ENVIRONMENTS WITH A POTENTIALLY EXPLOSIVE ATMOSPHERE AND/OR CONTAINING COMBUSTIBLE DUSTS (E.G. WOOD DUSTS, FLOURS, SUGARS AND GRAINS).

IT IS ABSOLUTELY FORBIDDEN TO USE THE MACHINE IN AREAS CONTAINING SOLID OR ABRASIVE PARTICLES.

DANGER OF BURNS UPON ACCIDENTAL CONTACT WITH TWIN CYLINDER PUMP SYSTEM, ELECTRIC MOTOR, PIPES AND TANK. WARNING – RESIDUAL RISK (SEE PARAGRAPH 22).

THE MACHINE MUST BE USED IN COMPLIANCE WITH LEGISLATION GOVERNING EMISSIONS (NOISE) IN FORCE IN THE COUNTRY OF USE.

DURING USE, ENSURE THAT UNAUTHORISED PERSONS DO NOT COME WITHIN PROXIMITY OF THE APPLIANCE.

THE APPLIANCE MUST BE KEPT OUT OF THE REACH OF CHILDREN.

IT IS STRICTLY FORBIDDEN TO USE THE MACHINE OUTDOORS.

INCORRECT USE OF THE APPLIANCE OR USE WHICH DIFFERS FROM THAT SPECIFIED IN PARAGRAPH 10 IS FORBIDDEN.

THE USE OF UNSUITABLE AIR PIPES (EXTENSIONS), CONNECTIONS AND UTENSILS OR THOSE WHICH DO NOT CONFORM WITH CURRENT LEGISLATION IN FORCE ARE COMPLETELY FORBIDDEN.

IT IS FORBIDDEN TO LIFT THE APPLIANCE WITH CRANES AND/OR LIFTING DEVICES.

IT IS FORBIDDEN TO DIRECT COMPRESSED AIR JETS AT PERSONS AND/OR ANIMALS.

IT IS FORBIDDEN TO USE THE APPLIANCE TO MOVE AND/OR LIFT PERSONS, ANIMALS OR OBJECTS.

IT IS FORBIDDEN TO MOUNT THE APPLIANCE.

IT IS FORBIDDEN TO TOW THE APPLIANCE USING ANY TYPE OF MEDIUM AND/OR VEHICLE.

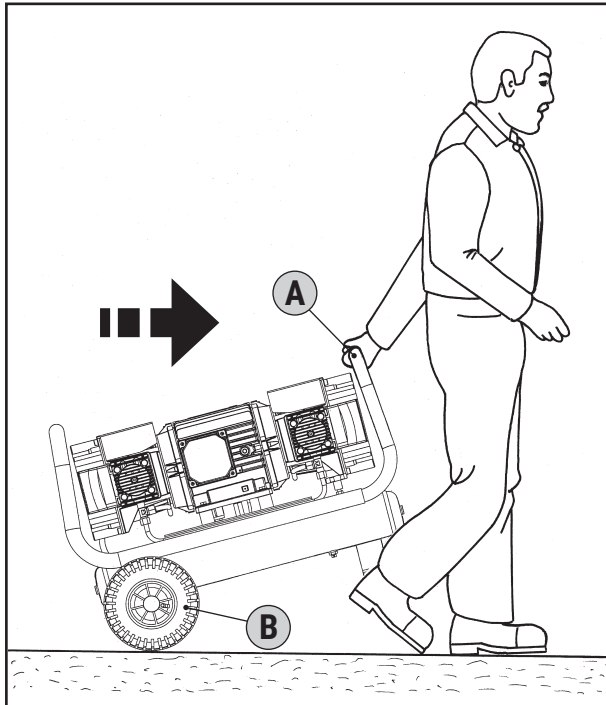
IT IS FORBIDDEN TO MANUALLY MOVE THE APPLIANCE UPHILL AND/OR DOWNHILL WHERE DANGEROUS INCLINATIONS ARE PRESENT.



12. TRANSPORTATION AND MOVEMENT OF THE APPLIANCE

The machine can be manually carried by an operator using the handle (A) and the wheels (B).

! TRANSPORTATION OF THE APPLIANCE MUST BE CARRIED OUT BY TWO QUALIFIED OPERATORS IN COMPLIANCE WITH REGULATIONS OVERSEEING “MANUAL MOVEMENT OF LOADS” IN ORDER TO AVOID UNFAVOURABLE ERGONOMIC CONDITIONS WHICH COULD LEAD TO THE RISK OF BACK INJURIES.





13. PACKAGING

The machine is packed by the Manufacturer on a pallet, fixed with straps and covered by a cardboard box and can only be moved using a fork lift truck or a transpallet. The pack contains 1 compressor and 1 instructions manual.

14. UNPACKING

Once the package has been placed on the floor on a flat surface which ensures stability, proceed with unpacking; remove the appliance from its packaging as per the instructions provided in Paragraph 12.



PLEASE DISPOSE OF THE PACKAGING DIVIDING IT UP ACCORDING TO THE VARIOUS WASTE MATERIALS AND IN COMPLIANCE WITH LEGISLATION CURRENTLY IN FORCE IN THE COUNTRY OF USAGE.

15. LOCATION

The appliance must be placed in a work place which satisfies the characteristics described in Paragraph 10; it must be placed on a flat surface which ensures stability with regards to overall dimensions and weight (see Paragraph 2).



PACKAGING SHOULD BE DISPOSED OF ACCORDING TO THE DIFFERENT TYPES OF MATERIAL AND IN FULL COMPLIANCE WITH THE LEGISLATION IN FORCE IN THE COUNTRY OF USE. FURTHER DETAILS CAN BE FOUND IN THE DISPOSAL REFERENCE TABLE AT THE END OF THE MANUAL.

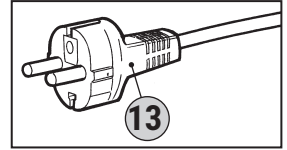
16. STORAGE

- In the instance where the appliance is not to be used for an extended period of time, it must be stored in a safe place, with suitable temperature and air humidity values, where it is protected from dust.
- Before storing the appliance, we recommend draining moisture from the air tank and completely discharging the pressure in the tank.



17. ELECTRICAL CONNECTION

The machine can be connected to the mains electrical supply by plugging the power cable into the special socket (13).



THE POWER SUPPLY NETWORK TO WHICH THE APPLIANCE IS CONNECTED MUST CONFORM TO THE LEGISLATION CURRENTLY IN FORCE IN THE COUNTRY OF USAGE, CONFORM TO THE TECHNICAL SPECIFICATIONS PROVIDED IN PARAGRAPH 2 AND BE EQUIPPED WITH A SUITABLE "PLANT EARTHING" SYSTEM.

ALL MATERIALS USED FOR ELECTRICAL CONNECTION MUST BE SUITED TO THE INTENDED USAGE, LABELLED WITH "CE" IF SUBJECT TO THE LOW VOLTAGE DIRECTIVE 2006/95/CE AND CONFORM TO THE REQUIREMENTS AS SPECIFIED IN THE LEGISLATION CURRENTLY IN FORCE IN THE COUNTRY OF APPLIANCE USAGE.

DISREGARD FOR THE ABOVE DESCRIBED WARNINGS MAY LEAD TO IRREPERABLE DAMAGE TO THE APPLIANCE ELECTRICAL SYSTEM AND SUBSEQUENTLY WARRANTY EXPIRY.

THE MANUFACTURER DECLINES ANY RESPONSIBILITY FOR FAULTS OR ANOMOLIES WITH APPLIANCE OPERATION CAUSED BY ELECTRICAL POWER SURGES IN ADDITION TO TOLERANCES BY THE SUPPLY ENTITY (VOLTAGE \pm 10%, FREQUENCY \pm 2%).

WHERE NECESSARY, CONNECT THE APPLIANCE EXCLUSIVELY TO THE ELECTRICAL SUPPLY GENERATOR WITH POWER GRTEATER THAN THE INSTALLED ELECTRICAL POWER (SEE PARAGRAPH 2), IN ORDER TO SUPPORT THE POWER-DRAWAT START-UP.

IT IS STRICTLY FORBIDDEN TO START THE MACHINE IN ANY ATEX ZONE, I.E. IN ENVIRONMENTS WITH A POTENTIALLY EXPLOSIVE ATMOSPHERE AND/OR CONTAINING COMBUSTIBLE DUSTS (E.G. WOOD DUSTS, FLOURS, SUGARS AND GRAINS).

THE MACHINE MUST BE ELECTRICALLY CONNECTED TO THE MAINS LINE UNDER THE SOLE RESPONSIBILITY OF THE CUSTOMER, USING SKILLED PERSONNEL AND IN COMPLIANCE WITH EN 60204.



EARTHING INSTRUCTIONS

- This compressor must be earthed while in use to protect the operator from electric shocks.
- It must be electrically connected by an electrician.
- Never disassemble the compressor or make any other connections.
- Any repairs must only be carried out by authorised service centres or by other qualified centres.
- The earth wire of the power cable supplied with the compressor must only be connected to the PE terminal of the compressor's plug.
- Before replacing the plug on the power cable, make sure that the earth wire is connected.

EXTENSION LEAD

- Only use an extension lead with a plug and earth connection, do not use damaged or crushed extension leads.
- Make sure that the extension lead is in good condition.
- When using an extension lead, ensure that the cable cross-section is enough to carry the current absorbed by the product to be connected.
- An extension lead that is too thin can cause voltage drops resulting in a loss of power and overheating of the equipment.
- The extension lead of a three-phase compressor must have a cross-section proportionate to its length: see table below.

CROSS-SECTION VALID FOR A MAXIMUM LENGTH OF 20 m

kW/HP power	Rated voltage	Phase	Cross-section
3/4 Direct roll-up (D.O.L.)	220/240V	1 ph	6 mm ²
	220/240V	3 ph	4 mm ²
	380/415V	3 ph	2.5 mm ²



AVOID ALL RISKS OF ELECTRIC SHOCK.

NEVER USE THE COMPRESSOR WITH A DAMAGED POWER CABLE OR EXTENSION LEAD.

REGULARLY CHECK THE POWER CABLES.


NEVER USE THE COMPRESSOR IN OR NEAR WATER OR NEAR A HAZARDOUS ENVIRONMENT WHERE ELECTRIC DISCHARGES CAN OCCUR.



ELECTRICAL CONNECTION

- **SINGLE-PHASE compressors (1 ph)** must be installed by a skilled technician. Single-phase compressors are supplied with a power cable without a 16A 6h “CE” certified plug.
- **THREE-PHASE compressors (3 ph)** version L1+L2+L3+N+PE 380÷415V and version L1+L2+L3+PE 220÷240V) must be installed by a skilled technician. Three-phase compressors are supplied with a cable without a plug.
- It is advisable to install the circuit breaker and fuses near (max 3 m away) to the compressor. The circuit breaker and fuses must have the characteristics given in the following table:

kW/HP power	Rated voltage	Circuit breaker	Fuse
3/4 Direct roll-up (D.O.L.)	220/240V 1 ph	25 A	32 A
	220/240V 3 ph	16 A	20 A
	380/415V 3 ph	10 A	16 A

 **The values of the fuses in the table above refer to gL (standard) ones; If aM (delayed) fuse cartridges are used, the values in the table must be reduced by 20%.**

The values of the circuit breakers refer to switches with K characteristic.

- Check that the kW installed power is at least double the power consumption of the electric motor.
- The mains voltage must be the same as that indicated on the machine’s electrical data plate; the permissible tolerance range must be within ±6%. **EXAMPLE:**230 Volt: MIN tolerated 216 Volt - MAX tolerated 244 Volt
400 Volt: MIN tolerated 376 Volt - MAX tolerated 424 Volt
- **The plug of the power cable must not be used as a switch, but it must be plugged into a socket controlled by an appropriate RCD (circuit breaker).**

 **NEVER USE THE EARTH SOCKET INSTEAD OF THE NEUTRAL. THE EARTH CONNECTION MUST BE DONE ACCORDING TO EN 60204.**

CHECK THAT THE MAINS VOLTAGE IS THE SAME AS THE ONE REQUIRED FOR CORRECT OPERATION OF THE COMPRESSOR.



ONLY FOR COMPRESSORS WITH OPTIONAL PILOT VALVE

GENERAL OPERATING INFORMATION

- The compressor is only used to power/operate pneumatic tools.
- The pumping unit is operated by an electric motor flanged to the motor which ensures a constant pressure in the tank, keeping it between the minimum and maximum calibration limit regulated by the Pilot Valve (default pressures) (see Fig. 1: pilot valve).



WARNING: IF THERE IS A POWER FAILURE DURING OPERATION, BEFORE RESTARTING THE COMPRESSOR, TURN THE POWER SWITCH ON THE PRESSURE SWITCH (1) TO "OFF" AND WAIT FOR THE AIR IN THE STORAGE TANK TO BE FULLY DISCHARGED (PRESSURE GAUGE (15) ON ZERO, THEN RESTART THE COMPRESSOR BY TURNING THE POWER SWITCH (1) TO "ON".

REPEAT THIS OPERATION WHENEVER SIMILAR SITUATIONS OCCUR.

WARNING! DO NOT RESTART THE COMPRESSOR WHILE IT IS UNDER PRESSURE.

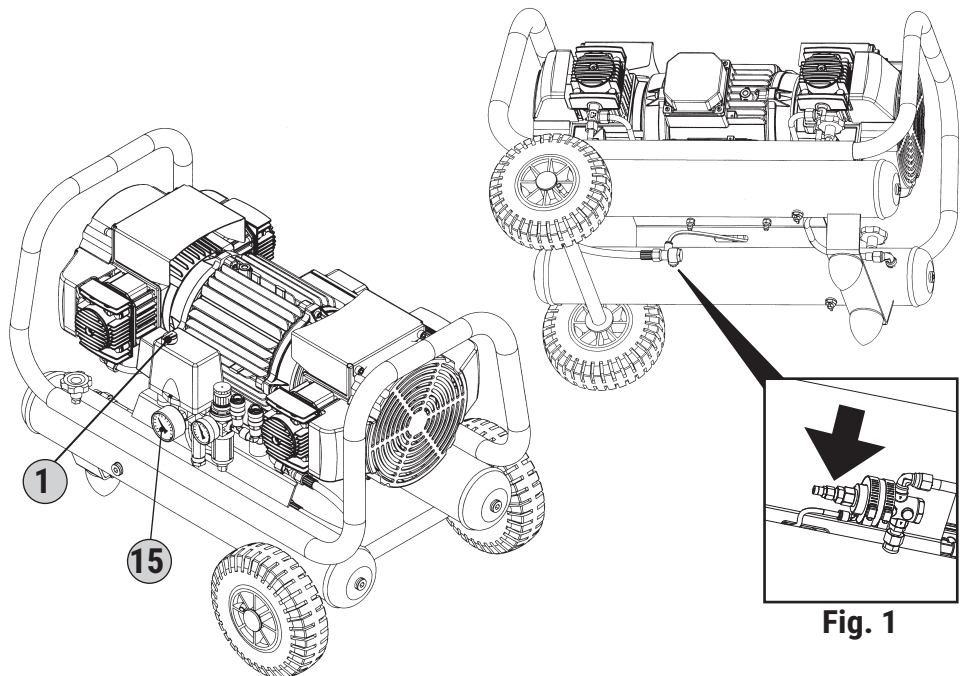


Fig. 1



18. AIR PIPE (EXTENSION) AND UTENSILS CONNECTION

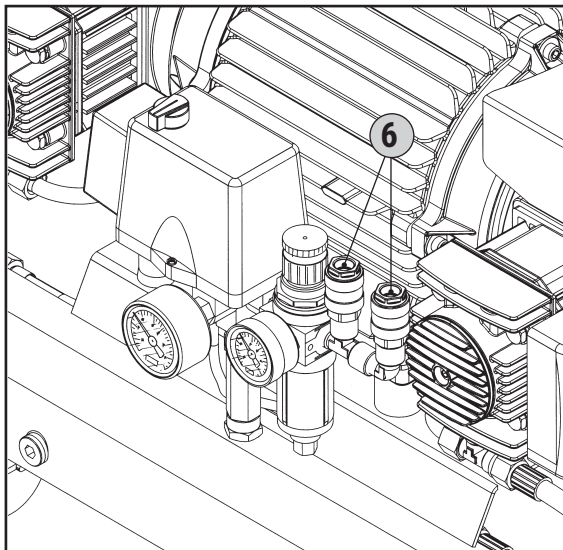
- Connect the utensil to the air pipe (extension).
- Connect the air pipe (extension) to the appliance air outlet spigot (rif. 6).



THE MANUFACTURER DECLINES ANY RESPONSIBILITY FOR DAMAGE TO PERSONS, ANIMALS AND OBJECTS CAUSED BY THE INOBSERVATION OF THE ABOVE DESCRIBED WARNINGS.

AIR PIPES (EXTENSION), CONNECTIONS AND UTENSILS WHICH CONFORM TO THE MANUFACTURER'S INSTRUCTION MANUALS MUST BE USED.

THE USE OF UNSUITABLE AIR PIPES (EXTENSIONS), CONNECTIONS AND UTENSILS AND/OR THOSE WHICH DO NOT COMPLY WITH LEGILATION CURRENTLY IN FORCE IS STRICTLY FORBIDDEN.





19. SAFETY DEVICES ADOPTED

SAFETY VALVE (10): a certified safety valve (set to 10.5 bar), installed to the pneumatic system, under the pressure switch. It tackles over-pressure in the instance where, owing to anomalies, the pressure switch does not function. Safety valve intervention ensures the operator switches off the appliance and requests the support of maintenance persons.

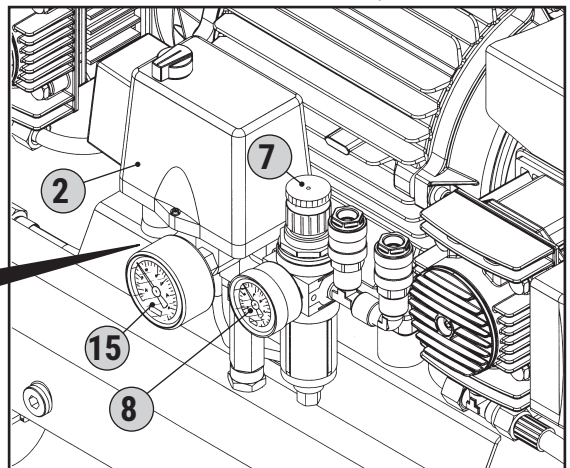
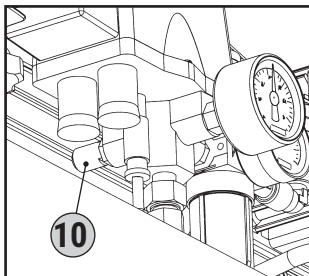
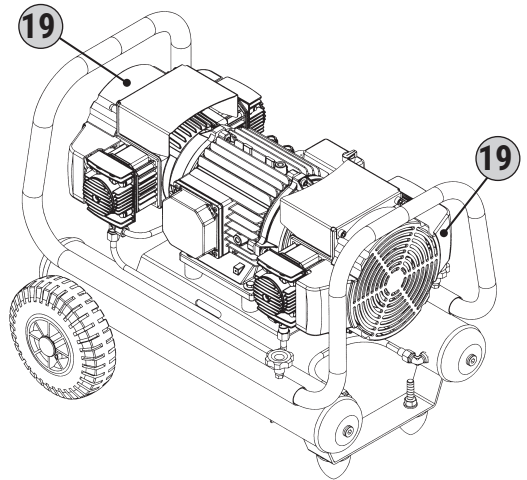
PRESSURE SWITCH (2): an electro-pneumatic device (set to a minimum of 7 bar and a maximum of 10 bar) installed to the pneumatic system. It serves to control the automatic start-up of the appliance when the operating pressure comes down to 7 bar and the automatic close-down when the pressure reaches 10 bar.

FAN COVER (19): fixed protection made of plastic attached using screws fixed to the twin cylinder pump system base. It serves to stop accidental contact with the cooling fan when in motion.

TANK PRESSURE GAUGE (15): a measuring device installed to the appliance tank. It displays the compressed air pressure inside the tank.

OUTLET PRESSURE GAUGE (8): a measuring device installed to the appliance pneumatic system above the air outlet spigot.

It displays the outlet pressure, which can be adjusted using the relative pressure regulator (0÷10 bar) (7).





ALL SAFETY DEVICES INSTALLED ON THE APPLIANCE MUST BE REGULARLY CHECKED TO ENSURE THEY ARE FUNCTIONING CORRECTLY.

ANY SAFETY DEVICES WHICH ARE NOT FUNCTIONING CORRECTLY OR WHICH ARE DAMAGED MUST BE IMMEDIATELY REPLACED.

THE HANDLING, EXCLUSION AND/OR REMOVAL OF SAFETY DEVICES INSTALLED ON THE DEVICE IS STRICTLY FORBIDDEN.

REPLACING A SAFETY DEVICE OR COMPONENTS OF SAFETY DEVICES WITH UNORIGINAL REPLACEMENT PARTS IS STRICTLY FORBIDDEN.

20. SAFETY SIGNS

Safety signs used take the form of a sticky label, applied to the appliance exterior.

Sign definitions:

- 1) Generic danger.
- 2) Warning – electrical power.
- 3) Warning – automatic start-up.
- 4) Warning – high temperature.
- 5) Protect your hearing.
- 6) Power must be disconnected.
- 7) Instructions must be read.
- 8) Guaranteed acoustic power level.



1



2



3



4



5



6



7



8



THE SAFETY SIGN MUST BE KEPT CLEAN SO THAT IT IS VISIBLE.

SAFETY SIGNS WHICH ARE DAMAGED MUST BE REPLACED; ASK FOR A REPLACEMENT FROM THE MANUFACTURER OR THE AUTHORISED SUPPLIER.

REMOVING AND/OR DAMAGING THE SAFETY SIGN ATTACHED TO THE APPLIANCE IS STRICTLY FORBIDDEN.






21. PERSONAL PROTECTIVE EQUIPMENT (PPI)



PERSONAL PROTECTIVE EQUIPMENT ISSUED BY THE MANUFACTURER MUST BE USED.

AUTHORISED OPERATORS MUST WEAR PERSONAL PROTECTIVE EQUIPMENT ISSUED BY THE MANUFACTURERS OF THE UTENSILS EMPLOYED BASED UPON THE WORK TO BE CARRIED OUT.

AUTHORISED OPERATORS MUST NOT WEAR CLOTHING AND/OR ACCESSORIES THAT MAY BECOME CAUGHT IN THE APPLIANCE.

SIGN	COMPULSORY PPE	TYPE OF WORK
	Hand protection (heat-resistant gloves)	In the instance where maintenance interventions have to be carried out whilst the electric motor, the twin cylinder pump system, pipes and tank are still hot.
	Ear protectors (earmuffs)	During all operational phases.
	Foot protection (shoes with reinforced toe caps)	During appliance transportation.

22. RESIDUAL RISKS

Although the Manufacturer has adopted all technical construction solutions in order to make the appliance as safe as possible, authorised operators please be aware that residual risks remain.

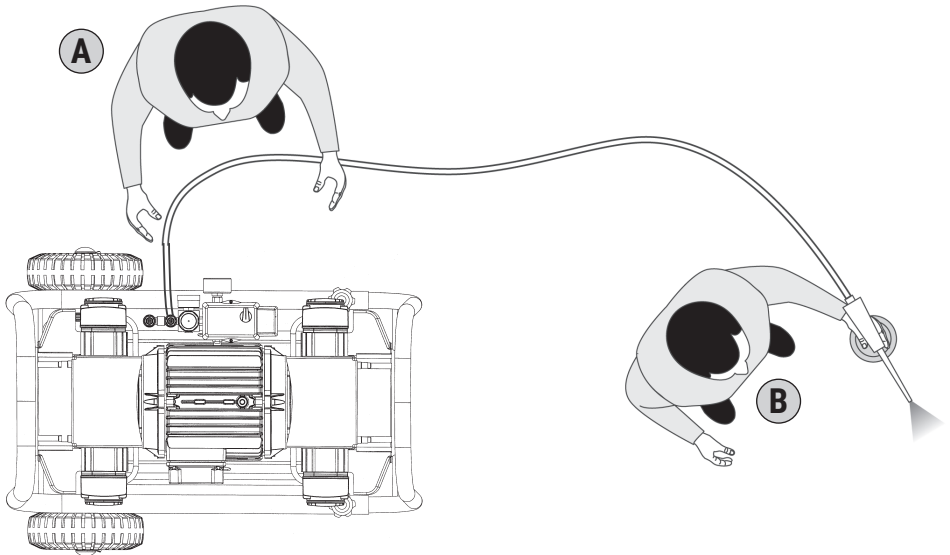
RESIDUAL RISK	Danger of burns upon accidental contact with the twin cylinder pump system, electric motor, pipes and tank.
SEVERITY OF DAMAGE	Mild damage (normally reversible).
LIABILITY	Liability may be incorporated in the instance when the operator decides to voluntarily carry out an incorrect or forbidden action.
PROBABILITY	Small and accidental.
PHASE IN WHICH THE RISK IS PRESENT	Operation.
SUITABLE PROVISIONS	Safety signs (see Paragraph 20). Commitment to use personal protection equipment (PPI) (see Paragraph 21). Always wait for the machine to fully cool down before proceeding, and completely discharge the residual pressure from the tank as well.



23. AREAS ASSUMED BY AUTHORISED OPERATORS

AREA A: on the rear side of the appliance next to the command devices , in order to command the activation and deactivation of the compressor, to carry out connection/disconnection of the utensils, reading of the gauge and the regulation of the pressure, cleaning or replacement of the air filter and opening/closure of the condensate pump.

AREA B: when working to carry out suitable operation dependent on the type of utensil used (E.g. veneering, etc.).

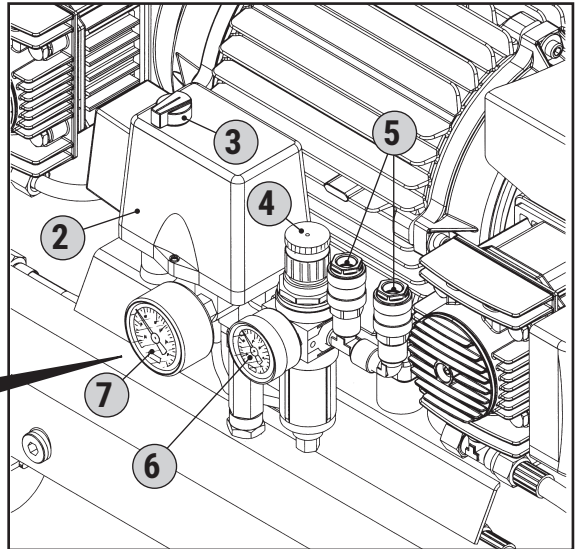
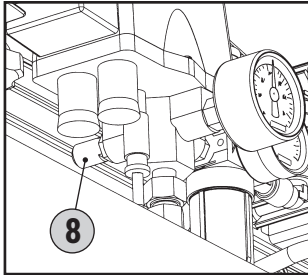
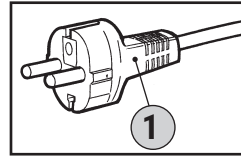




24. COMMAND DEVICES

The command devices are:

- 1) Electrical supply cable
- 2) Pressure switch
- 3) "ON-OFF" switch
- 4) Outlet pressure regulator
- 5) Air outlet spigot (regulator)
- 6) Tank pressure gauge
- 7) Tank outlet gauge
- 8) Safety valve

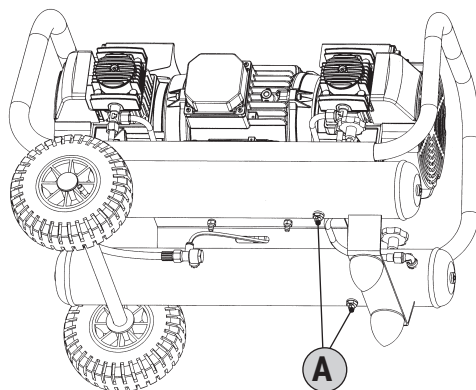
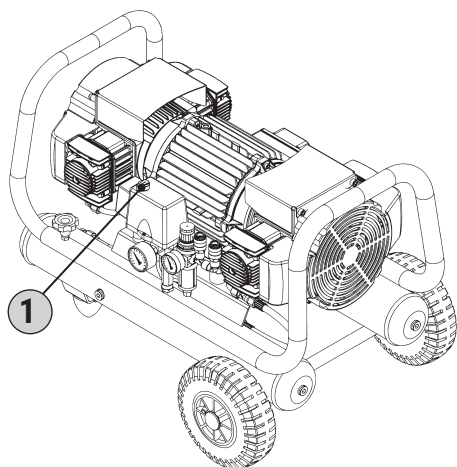




25. PRE-START-UP CHECKS

! BEFORE STARTING UP THE APPLIANCE, AUTHORISED OPERATORS MUST CARRY OUT THE FOLLOWING CHECKS.

- Ensure that no unauthorised persons are in close proximity of the appliance.
- Ensure that safety devices are not damaged and that they are correctly installed and operational (see Paragraph 19).
- Ensure that the appliance is correctly positioned (see Paragraph 15).
- Ensure that the switch **(3)** is in the "OFF (0) position (see Paragraph 24).
- Ensure that the condensate pump is closed **(A)**.
- Use the compulsory personal protection equipment (PPI) (see Paragraph 21).
- Ensure that you have read and understood all parts of the present "Instruction Manual".



26. APPLIANCE ACTIVATION

! DANGER OF BURNS UPON ACCIDENTAL CONTACT WITH THE TWIN CYLINDER PUMP SYSTEM, ELECTRIC MOTOR, PIPES AND TANK. WARNING – RESIDUAL RISK (SEE PARAGRAPH 22).

THE MANUFACTURER DECLINES ANY RESPONSIBILITY FOR DAMAGE TO PERSONS, ANIMALS OR OBJECTS CAUSED BY INOBSERVANCE OF REGULATIONS AND THE WARNINGS DESCRIBED IN THE PRESENT MANUAL.

THE MANUFACTURER DECLINES ANY RESPONSIBILITY FOR THE OUTCOME FOLLOWING USAGE AS THIS IS DEPENDENT ON THE UTENSIL USED AND THE PROFESSIONAL SKILLS OF THE AUTHORISED OPERATORS.



THE AUTHORISED OPERATORS MAY ONLY START UP THE APPLIANCE ONLY AFTER HAVING CARRIED OUT THE COMPLUSARY CHECKS DESCRIBED IN PARAGRAPH 25.

BEFORE USING THE APPLIANCE IN QUESTION, AUTHORISED OPERATORS MUST READ AND UNDERSTAND ALL PARTS OF THE PRESENT MANUAL.

DURING OPERATION, PLEASE ENSURE THAT UNAUTHORISED PERSONS DO NOT COME WITHIN PROXIMITY OF THE APPLIANCE.

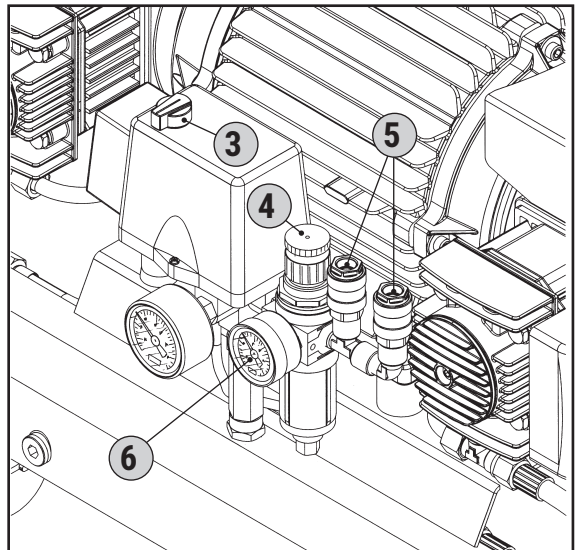
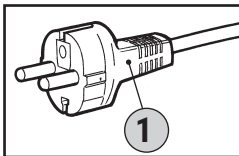
AUTHORISED OPERATORS MUST NOT LEAVE THE APPLIANCE UNSUPERVISED WHILST IN OPERATION OR DURING MAINTENANCE INTERVENTIONS.

- Connect the appliance to the power supply (1) by plugging it in.
- Switch on the appliance using the switch (3) ensuring it is in the "ON (I)" position (the appliance is operational until it reaches a maximum operating pressure of 10 bar, after which, it switches off automatically).
- Regulate the outlet pressure using the relevant regulator (4) according to the utensil used and type of work. Control the pressure displayed by the relevant gauge (6).



DO NOT FULLY SCREW THE OULET PRESSURE GAUGE (4) OR YOU RISK DAMAGING THE MEMEBRANE.

- Connect the utensil to the air pipe (extension).
- Connect the air pipe (extension) to the air outlet spigot (regulator or tank) (5).





AIR PIPES (EXTENSIONS), CONNECTIONS AND UTENSILS WHICH CONFORM TO DETAILS AS SPECIFIED IN THE INSTRUCTION MANUALS PROVIDED BY THE RELEVANT MANUFACTURERS MUST BE USED.

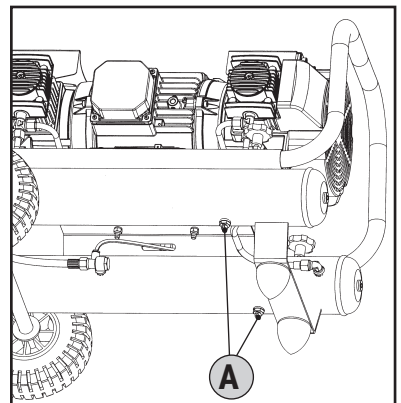
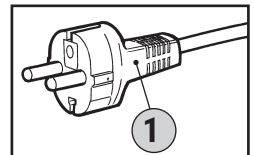
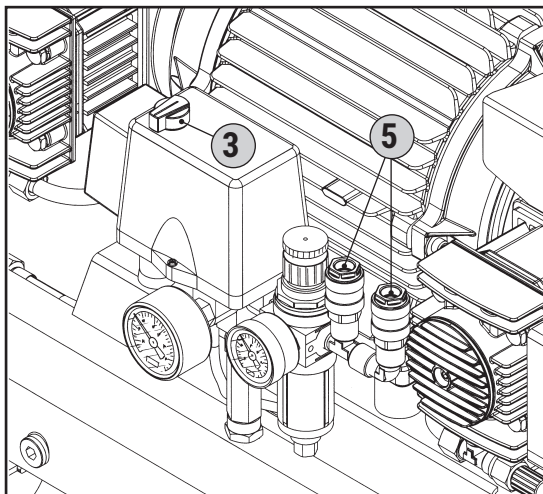
IT IS STRICTLY FORBIDDEN TO USE UNSUITABLE AIR HOSES (EXTENSIONS), FITTINGS AND TOOLS THAT DO NOT COMPLY WITH CURRENT REGULATIONS.

- Carry out operations (the appliance will re-start automatically in the instance where the operating pressure falls below 7 bar).
- Upon termination of operations, switch off the appliance as described in Paragraph 27.

27. APPLIANCE DEACTIVATION

At the end of operations, switch off the appliance as follows:

- Switch off the appliance using the switch (3) ensuring it is set to “OFF (0)”.
- Disconnect the appliance from the power supply (1) by unplugging it.
- Disconnect the utensil from the air pipe (extension).
- Disconnect the air pipe (extension) from the appliance air outlet spigot (5).
- Drain the moisture from the tank only at the end of operations and ensure that the residual pressure in the tank is completely discharged (A).





28. VOLTAGE OVERLOAD SAFETY RESET

In the instance where current overload and/or a short circuit of the appliance electrical system is noted, a safety device restores intervenes, disabling the electric motor.

To carry out the reset intervention, proceed as follows:

- Turn the switch (3) to the "OFF (0)" position.
- Wait a few minutes, then turn on the machine again.



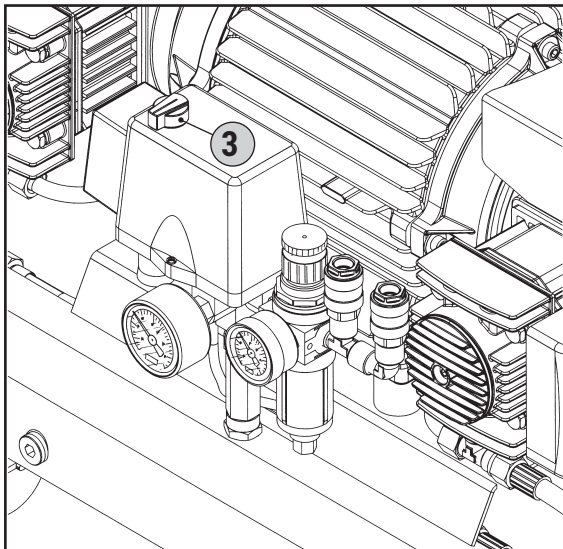
IF, AFTER CARRYING OUT THERMAL RESTORE, THE APPLIANCE DOES NOT RESTART, THE QUALIFIED OPERATOR MUST REQUEST THE INTERVENTION OF MAINTENANCE PERSONS AND/OR THE AUTHORISED SUPPLIER.

29. EMERGENCY STOP

Appliance emergency stop can be carried out by turning the "ON-OFF" switch (3) to the "OFF (0)" position.

In order to avoid any possible danger, authorised operators must carry out the following operations.

- **IMMEDIATELY BRING THE "ON-OFF" SWITCH TO THE "OFF (0)" POSITION (3).**
- **IMMEDIATELY NOTIFY THE "SAFETY MANAGER" (WHERE THE APPLIANCE IS USED IN A BUSINESS CONTEXT) OF THE EMERGENCY.**





30. START-UP SUBSEQUENT TO AN EMERGENCY STOP

After having resolved the issues which offset the emergency, and checked that no damage and/or anomalies have been caused to the appliance, with the consent of the safety manager (where the appliance is used in a business context) start the appliance as described in Paragraph 26.

31. STANDARD MAINTENANCE

All activities carried out to ensure use and operation of the appliance, via various intervention types (regulation, valve checks, cleaning of air filters, etc.) executed by the authorised maintenance person according to pre-established time intervals.

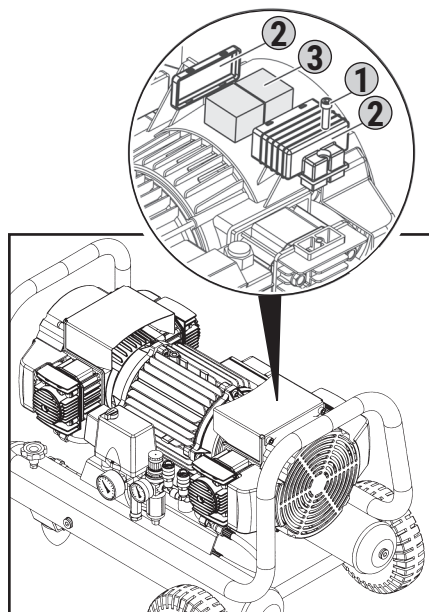
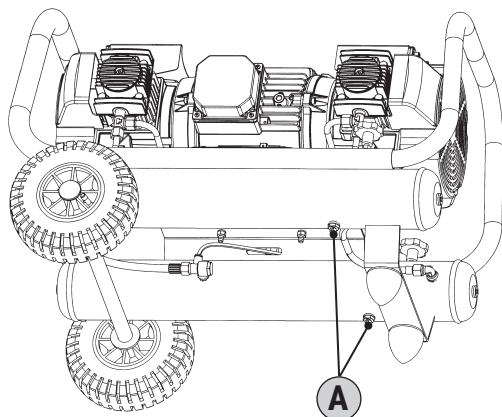


AUTHORISED OPERATORS MUST ONLY CARRY OUT OPERATIONS FOR WHICH THEY ARE QUALIFIED (SEE PARAGRAPH 6) AND WITH THE CONSENT OF THE SAFETY MANAGER (WHERE THE APPLIANCE IS USED IN A BUSINESS CONTEXT).

IT IS FORBIDDEN FOR AUTHORISED OPERATORS TO LEAVE THE APPLIANCE UNSUPERVISED DURING OPERATION AND MAINTENANCE INTERVENTIONS.



STANDARD MAINTENANCE TABLE		
FREQUENCY	INTERVENTION AREA	INTERVENTION TYPE
ONCE A DAY	Safety devices.	Ensure they are intact, correctly installed and functioning.
	Electrical cable and plug.	Visual check of usage status.
	Tank.	At the end of each work cycle, put the machine on a flat surface and drain the moisture from the tank. Open the drain valve to completely empty the tank of accumulated pressure (A).
EVERY WEEK	Wheels.	Check wear of the wheels and, if necessary, order the replacement part from the supplier.
	N. 4 air filters.	<p>Unscrew the screws (1).</p> <p>Remove the cover (2).</p> <p>Extract the filter (3) and clean it using compressed air.</p> <p>Reassemble the filters and properly reposition the lid.</p> <p>NOTE: REPLACE IN THE INSTANCE WHERE IT IS WORN.</p>





32. EXTRAORDINARY MAINTENANCE

All activities carried out to ensure use and operation of the appliance, via various intervention types (regulation, valve checks, cleaning of air filters, etc.) executed by the Manufacturer's technicians according to preestablished time intervals and in the instance of faults or wear and tear.



IN THE INSTANCE OF EXTRAORDINARY MAINTENANCE, TECHNICAL ASSISTANCE PROVIDED BY THE MANUFACTURER OR THE AUTHORISED SUPPLIER MUST BE REQUESTED.

33. END OF SERVICE LIFE

When disposing of the appliance, current legislation in force must be considered.

Dispose of the various component materials separately (plastic, copper, iron, etc.).

34. REPLACEMENT PARTS



IN THE INSTANCE OF EXTRAORDINARY MAINTENANCE, TECHNICAL ASSISTANCE PROVIDED BY THE MANUFACTURER OR THE AUTHORISED SUPPLIER MUST BE REQUESTED.

USING UNORIGINAL REPLACEMENT PARTS IS FORBIDDEN.

35. ANOMALIES - CAUSES - SOLUTIONS

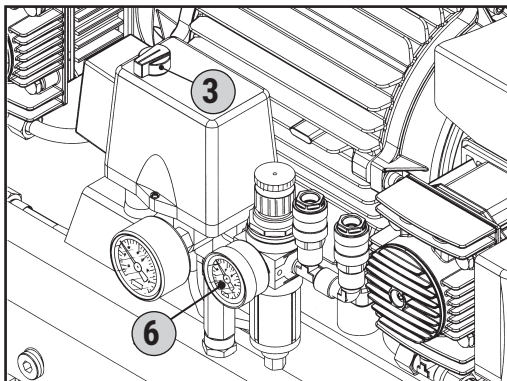
The following table displays various scenarios which may occur when using the appliance.



AUTHORISED OPERATORS MUST ONLY CARRY OUT OPERATIONS FOR WHICH THEY ARE QUALIFIED (SEE PARAGRAPH 6) AND WITH THE CONSENT OF THE SAFETY MANAGER (WHERE THE APPLIANCE IS USED IN A BUSINESS CONTEXT).

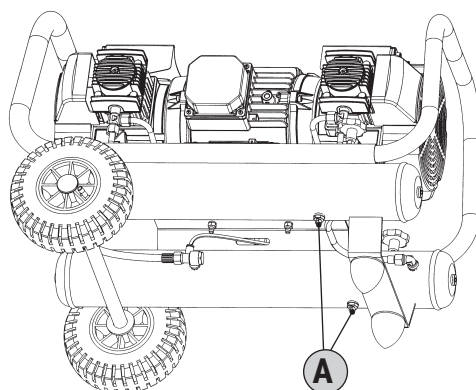


ABNORMALITIES	CAUSE	SOLUTION
<p>The appliance will not start or it stops and will not re-start.</p>	<p>No electrical supply.</p>	<ul style="list-style-type: none"> • Check that the switch (3) is in the “ON (I)” position. • Check that the electrical plug is functioning correctly and is correctly plugged in. • Check any extensions in use and the integrity of the socket to ensure that they are operational, in order to prevent voltage dips and power loss in the electric cables used. • Check that the electrical main switch is functioning and in the “ON” position.
	<p>Intervention of the safety to voltage overload and/or a short-circuit.</p>	<ul style="list-style-type: none"> • Carry out the procedure described in Paragraph 28.
<p>The appliance restarts numerous times even without a utensil.</p>	<p>Leakages from the air pipe, utensil or pneumatic system.</p>	<ul style="list-style-type: none"> • Check that the pneumatic system is not damaged. • Check that the air pipe and utensils are intact as well as the connections.
<p>The utensil does not emit air.</p>	<p>The tank is not pressurised.</p>	<ul style="list-style-type: none"> • Switch on the appliance and wait until the tank fills checking the pressure of the relevant gauge.
	<p>Incorrect regulation of the outlet pressure.</p>	<ul style="list-style-type: none"> • Check that the value displayed on the outlet pressure gauge (6) is greater than 0 (zero) bar.
	<p>The utensil is damaged.</p>	<ul style="list-style-type: none"> • Check that the utensil is intact and effective.














ABNORMALITIES	CAUSE	SOLUTION
Fall of pressure in the air tank.	Leakages in the air pipe, utensil or the pneumatic system.	<ul style="list-style-type: none"> • Check that the pneumatic system is not damaged. • Check that the air pipe and utensil are not damaged. • Check that the appliance-air pipe and air pipe-utensil connections are correct. • Check that the condensate pump is securely closed (A).
Safety valve intervention.	Pressure switch fault.	<ul style="list-style-type: none"> • Contact an authorised Supplier.
Air loss from the pressure switch when appliance is off.	Unclean or worn return valve.	<ul style="list-style-type: none"> • Contact an authorised Supplier.
The appliance vibrates and/or emits lots of noise.	Mechanical fault.	<ul style="list-style-type: none"> • Contact an authorised Supplier.
Frequent start-ups and low performance.	Unclean air filters.	<ul style="list-style-type: none"> • Carry out filter cleaning (see Paragraph 31).





SINGLE TABLE FOR PACKAGING DISPOSAL D.LGS. 116/2020 (ITA) - UE 2018/852

<i>D.Lgs. 116/2020 (ITA) - UE 2018/852</i>									
									
IT	Pallet	Scatola (cartone ondulato)	Scatola (cartone pressato)	Foglio	Reggia	Reggia	Busta / Film estensibile	Protezione	Vite / Staffa / Graffa
	LEGNO	CARTA	CARTA	CARTA	PLASTICA	PLASTICA	PLASTICA	POLISTIROLO	FERRO
EN	Pallet	Box (Corrugated Cardboard)	Box (Pressed Cardboard)	Sheet	Strap	Strap	Bag / Stretch Film	Protection	Screw / Bracket / Staple
	WOOD	PAPER	PAPER	PAPER	PLASTIC	PLASTIC	PLASTIC	POLYSTYRENE	IRON
DE	Palette	Karton (Wellpappe)	Karton (Presspappe)	Papier	Band	Band	Beutel/Stretchfolie	Schutz	Schraube/Halterung/Klemme
	HOLZ	PAPIER	PAPIER	PAPIER	KUNSTSTOFF	KUNSTSTOFF	KUNSTSTOFF	STYROPOR	EISEN
FR	PaLETTE	Boîte (carton ondulé)	Boîte (carton comprimé)	Feuille	Feuillard	Feuillard	Enveloppe/Film étirable	Protection	Vis/Attache/Agrafe
	BOIS	PAPIER	PAPIER	PAPIER	PLASTIQUE	PLASTIQUE	PLASTIQUE	POLYSTYRÈNE	FER
ES	Palé	Caja (cartón ondulado)	Caja (cartón prensado)	Hoja	Fleje	Fleje	Sobre / Película extensible	Protección	Tornillo / Estribo / Grapa
	MADERA	PAPEL	PAPEL	PAPEL	PLÁSTICO	PLÁSTICO	PLÁSTICO	POLIESTIRENO	HIERRO
FI	Kuormalava	Laatikko (aaltopahvia)	Laatikko (puristettua pahvia)	Arkki	Vanne	Vanne	Pussi / venytyskalvo	Suojus	Ruuvi / kannatin / kiinnitin
	PUU	PAPERI	PAPERI	PAPERI	MUOVI	MUOVI	MUOVI	POLYSTYREENI	RAUTA
PL	Paleta	Pudełko (tekstura falista)	Pudełko (tekstura prasowana)	Arkuszy	Opaska	Opaska	Torebka/folia stretch	Zabezpieczenie	Śruba/uchwyty/pinacz
	DREWNO	PAPIER	PAPIER	PAPIER	TWORZYWO SZTUCZNE	TWORZYWO SZTUCZNE	TWORZYWO SZTUCZNE	POLISTYREN	METAL
SV	Lastpall	Låda (wellpapp)	Låda (kartong)	Blad	Tyglina	Tyglina	Kuvert / sträckfilm	Skydd	Skruv / klämma / klammer
	TRÄ	PAPPER	PAPPER	PAPPER	PLAST	PLAST	PLAST	POLYSTIREN	JÄRN



Via delle Tezze, 20/22
36070 TRISSINO (VI)
Italy

phone +39 0445 96 20 00
info@gentilinair.com

www.gentilinair.com



41035002

41035002 - 10/2023